

SHANNON LNG LIMITED

FSRU CONCEPT ANALYSIS PACKAGE

SHANNON, IRELAND

INDEX OF DRAWINGS		
INDEX NO	SHEET NO	SHEET TITLE
1	G-010	COVER SHEET
2	G-110	FSRU MARINE TERMINAL OVERALL PLAN
3	G-111	FSRU JETTY HEAD ARRANGEMENT LAYOUT (1 OF 4)
4	G-111A	FSRU JETTY HEAD ARRANGEMENT LAYOUT (2 OF 4)
5	G-111B	FSRU JETTY HEAD ARRANGEMENT LAYOUT (3 OF 4)
6	G-111C	FSRU JETTY HEAD ARRANGEMENT LAYOUT (4 OF 4)
7	G-112	FSRU UNLOADING PLATFORM ARRANGEMENT*
8	S-110	FSRU UNLOADING PLATFORM PLAN
9	S-111	ACCESS TRESTLE PLAN
10	S-112	TUG BERTH PLAN
11	S-310	FSRU UNLOADING PLATFORM SECTIONS
12	S-311	ACCESS TRESTLE SECTIONS
13	S-312	TUG BERTH SECTIONS
14	S-313	FSRU LONGITUDINAL SECTION
15	S-510	ABUTMENT AND RUN ON SLAB (1 OF 2)
16	S-511	ABUTMENT AND RUN ON SLAB (2 OF 2)
17	S-512	MOORING DOLPHIN SINGLE HOOK DETAILS
18	S-513	MOORING DOLPHIN DOUBLE HOOK DETAILS
19	S-514	BREASTING DOLPHINS DETAILS
20	S-515	CATWALK INTERMEDIATE SUPPORT
21	S-516	MISCELLANEOUS DETAILS

ISSUED BY:



Description	Date	Appr

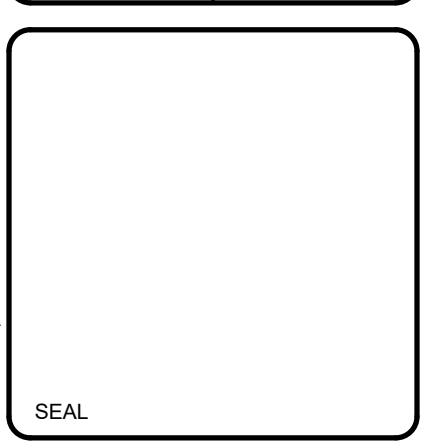
**SHANNON LNG LIMITED
SHANNON TECHNOLOGY AND
ENERGY PARK (STEP)**

COVER SHEET

Date:	2021-08-17	Rev:		Per scale:	1:1 (Metric D)
Designed by:	FMC	Drawn by:	REV	Drawing code:	
Checked by:	AB	Submitted by:	AB	Drawing Scale:	

THE HUB
FARNBOROUGH BUSINESS PARK
FOWLER AVENUE
FARNBOROUGH
SURREY GU14 7AL
UNITED KINGDOM
T +44(0)1252 516388

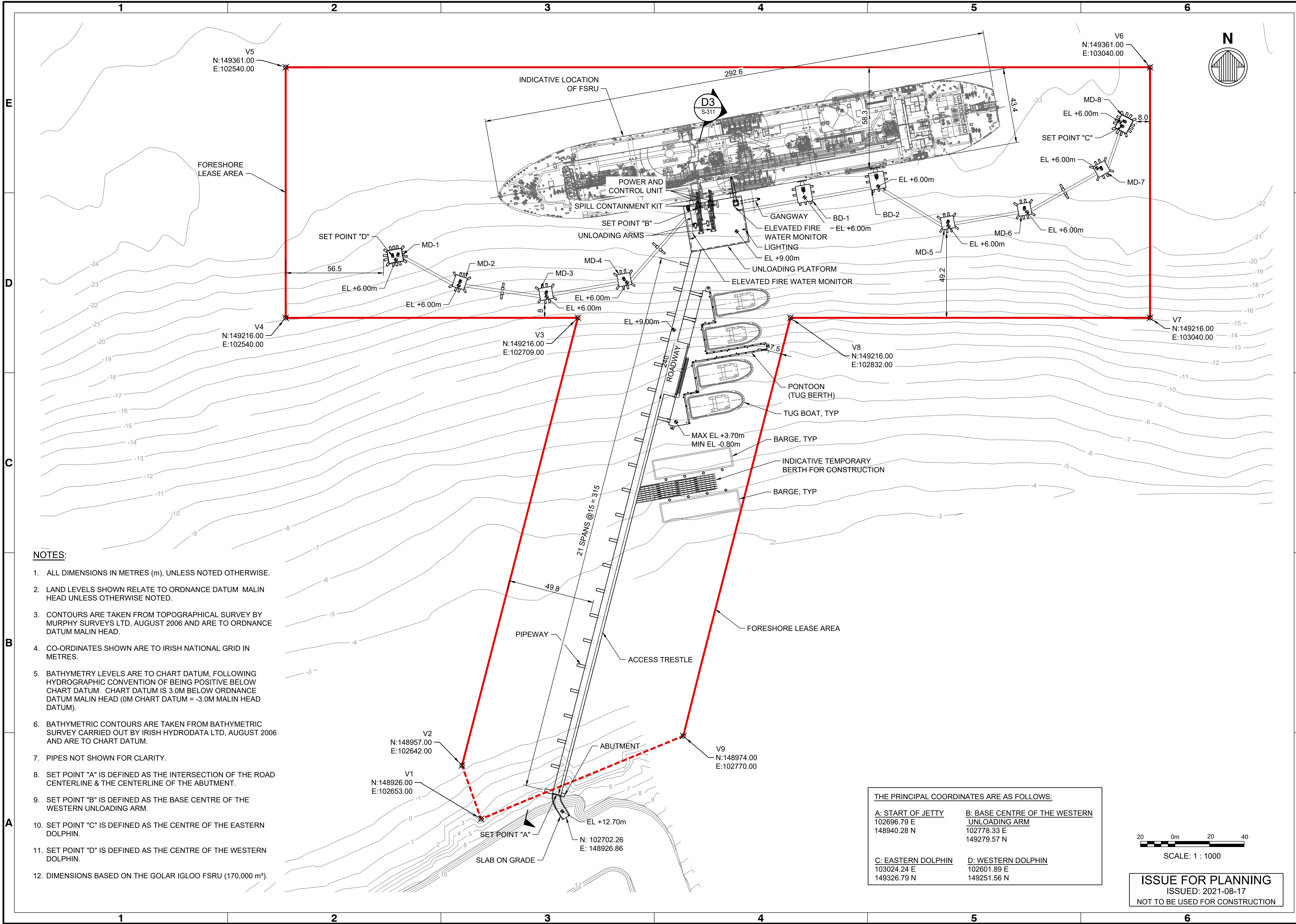
Submitted by:
MOFFATT & NICHOL



Sheet
Reference No.
G-010

INDEX: 1 OF 21

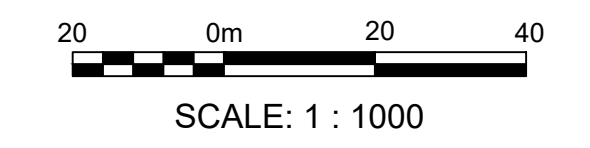
ISSUE FOR PLANNING
ISSUED: 2021-08-17
NOT TO BE USED FOR CONSTRUCTION



- NOTES:**
- ALL DIMENSIONS IN METRES (m), UNLESS NOTED OTHERWISE.
 - LAND LEVELS SHOWN RELATE TO ORDNANCE DATUM MALIN HEAD UNLESS OTHERWISE NOTED.
 - CONTOURS ARE TAKEN FROM TOPOGRAPHICAL SURVEY BY MURPHY SURVEYS LTD, AUGUST 2006 AND ARE TO ORDNANCE DATUM MALIN HEAD.
 - CO-ORDINATES SHOWN ARE TO IRISH NATIONAL GRID IN METRES.
 - BATHYMETRY LEVELS ARE TO CHART DATUM, FOLLOWING HYDROGRAPHIC CONVENTION OF BEING POSITIVE BELOW CHART DATUM. CHART DATUM IS 3.0M BELOW ORDNANCE DATUM MALIN HEAD (0M CHART DATUM = -3.0M MALIN HEAD DATUM).
 - BATHYMETRIC CONTOURS ARE TAKEN FROM BATHYMETRIC SURVEY CARRIED OUT BY IRISH HYDRODATA LTD, AUGUST 2006 AND ARE TO CHART DATUM.
 - PIPES NOT SHOWN FOR CLARITY.
 - SET POINT "A" IS DEFINED AS THE INTERSECTION OF THE ROAD CENTERLINE & THE CENTERLINE OF THE ABUTMENT.
 - SET POINT "B" IS DEFINED AS THE BASE CENTRE OF THE WESTERN UNLOADING ARM.
 - SET POINT "C" IS DEFINED AS THE CENTRE OF THE EASTERN DOLPHIN.
 - SET POINT "D" IS DEFINED AS THE CENTRE OF THE WESTERN DOLPHIN.
 - DIMENSIONS BASED ON THE GOLAR IGLOO FSRU (170,000 m³).

THE PRINCIPAL COORDINATES ARE AS FOLLOWS:

A: START OF JETTY 102696.79 E 148940.28 N	B: BASE CENTRE OF THE WESTERN UNLOADING ARM 102778.33 E 149279.57 N
C: EASTERN DOLPHIN 103024.24 E 149326.79 N	D: WESTERN DOLPHIN 102601.89 E 149251.56 N



ISSUE FOR PLANNING
ISSUED: 2021-08-17
NOT TO BE USED FOR CONSTRUCTION

Rev.	Date	Apr

SHANNON LNG LIMITED
SHANNON TECHNOLOGY AND ENERGY PARK (STEP)
FSRU MARINE TERMINAL OVERALL PLAN

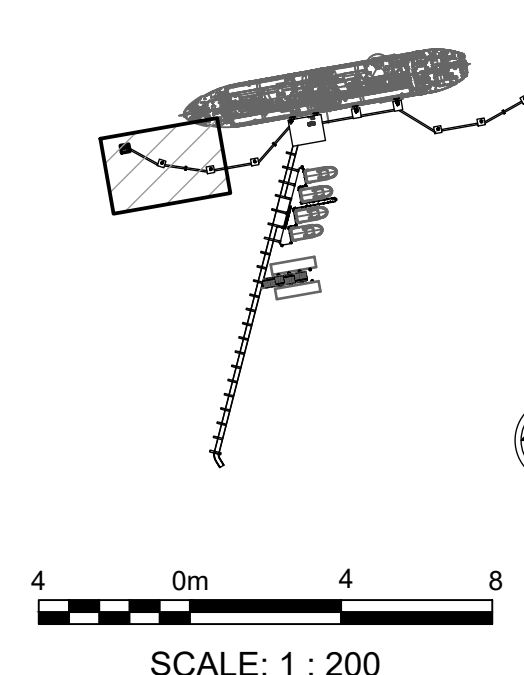
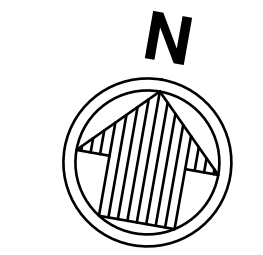
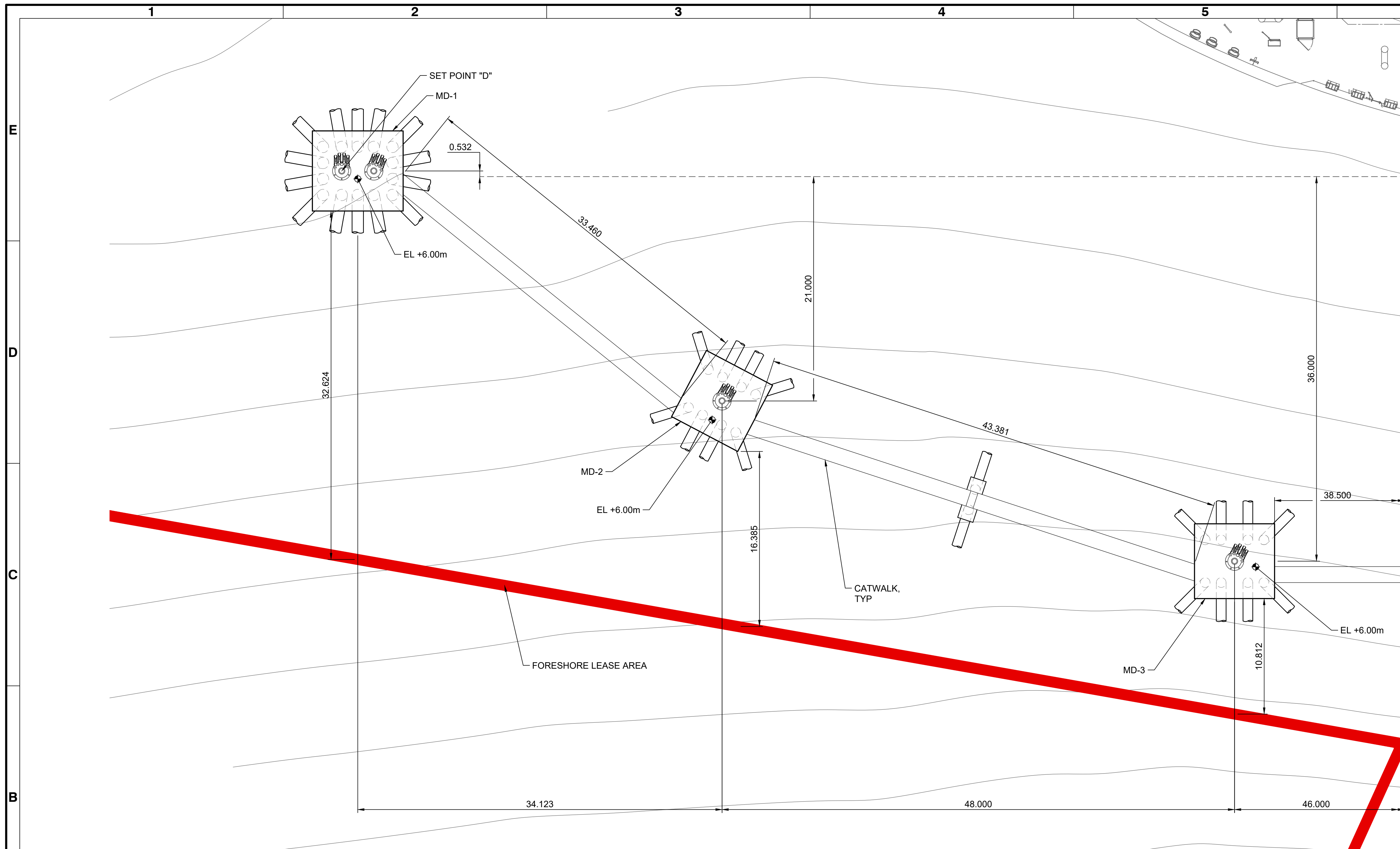
Designed by: FMC	Date: 2021-08-17	M&A Project No. 921 2-36 Drawing code: Drawing Scale: Per scale: 1:1 (Metric D)
Drawn by: REV	Checked by: AB	
Reviewed by: AB	Submitted by: MOFFATT & NICHOL	

THE HUB
FARNBOROUGH BUSINESS PARK
FOWLER AVENUE
FARNBOROUGH
HANTS GU14 7AL
UNITED KINGDOM
T +44(0)1252 516398

SEAL

Sheet Reference No.
G-110
INDEX: 2 OF 21

File: 0:\FV\9212-36\NFE Shannon LNG\500 CAD\1\FSRU Concept Analysis\921236G-110 - Plotted_ 8/18/2021 8:49 a. m. by PEREZ, HEMES - Saved: 8/18/2021 8:47 a. m. by HPEREZ



FSRU MARINE JETTY ARRANGEMENT LAYOUT
SCALE: 1:200

NOTES:

1. ALL DIMENSIONS IN METRES UNLESS NOTED OTHERWISE.
2. LAND LEVELS SHOWN RELATE TO ORDNANCE DATUM MALIN HEAD UNLESS OTHERWISE NOTED.
3. CONTOURS ARE TAKEN FROM TOPOGRAPHICAL SURVEY BY MURPHY SURVEYS LTD, AUGUST 2006 AND ARE TO ORDNANCE DATUM MALIN HEAD.
4. CO-ORDINATES SHOWN ARE TO IRISH NATIONAL GRID IN METRES.
5. BATHYMETRY LEVELS ARE TO CHART DATUM, FOLLOWING HYDROGRAPHIC CONVENTION OF BEING POSITIVE BELOW CHART DATUM. CHART DATUM IS 3.0M BELOW ORDNANCE DATUM MALIN HEAD (0M CHART DATUM = -3.0M MALIN HEAD DATUM).
6. BATHYMETRIC CONTOURS ARE TAKEN FROM BATHYMETRIC SURVEY CARRIED OUT BY IRISH HYDRODATA LTD, AUGUST 2006 AND ARE TO CHART DATUM.
7. PIPES NOT SHOWN FOR CLARITY.
8. SET POINT "B" IS DEFINED AS THE BASE CENTRE OF THE WESTERN UNLOADING ARM.
9. SET POINT "C" IS DEFINED AS THE CENTRE OF THE EASTERN DOLPHIN.
10. SET POINT "D" IS DEFINED AS THE CENTRE OF THE WESTERN DOLPHIN.

ISSUE FOR PLANNING
ISSUED: 2021-08-17
NOT TO BE USED FOR CONSTRUCTION

Rev.	Date	Description

**SHANNON LNG LIMITED
SHANNON TECHNOLOGY AND
ENERGY PARK (STEP)**

**FSRU JETTY HEAD ARRANGEMENT LAYOUT
(1 OF 4)**

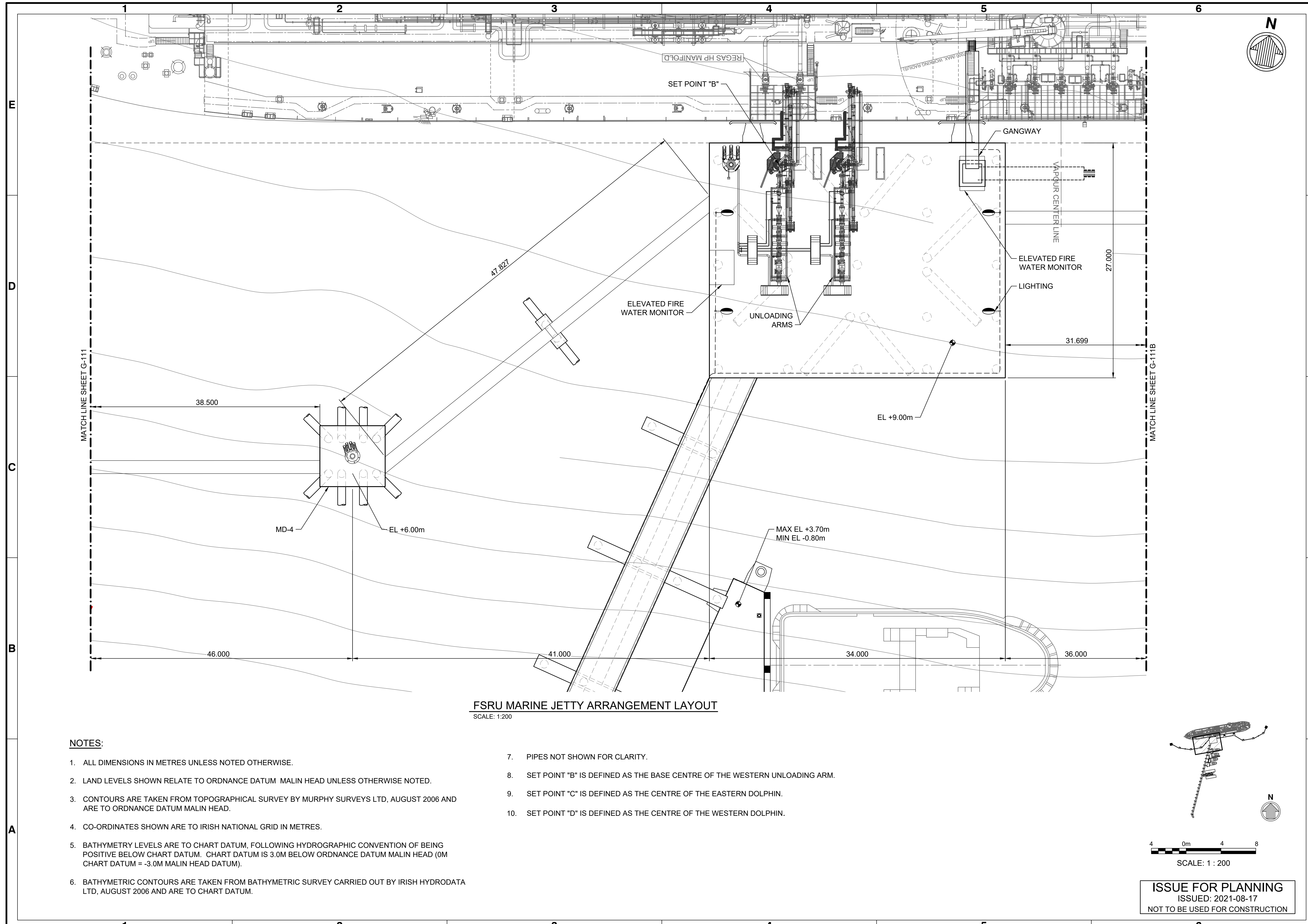
Designed by:	FMC	Date:	2021-08-17
Drawn by:	REV	M&A Project No.:	921236
Checked by:	AB	Drawing code:	
Reviewed by:	AB	Drawing Scale:	1:1 (Metric D)
Submitted by:	MOFFATT & NICHOL	Per scale:	

THE HUB
FARNBOROUGH BUSINESS PARK
FOWLER AVENUE
FARNBOROUGH
HANTS GU14 7AL
UNITED KINGDOM
T +44(0)1252 516388

SEAL

Sheet
Reference No.
G-111

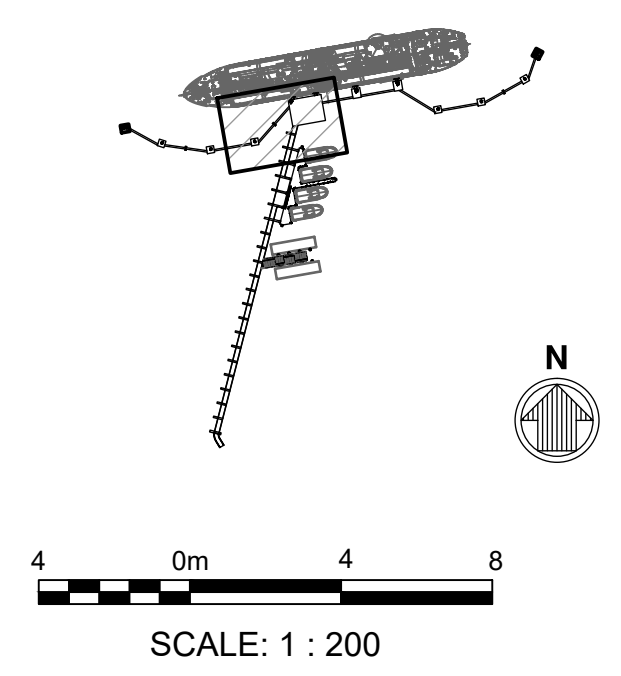
INDEX: 3 OF 21



FSRU MARINE JETTY ARRANGEMENT LAYOUT
SCALE: 1:200

NOTES:

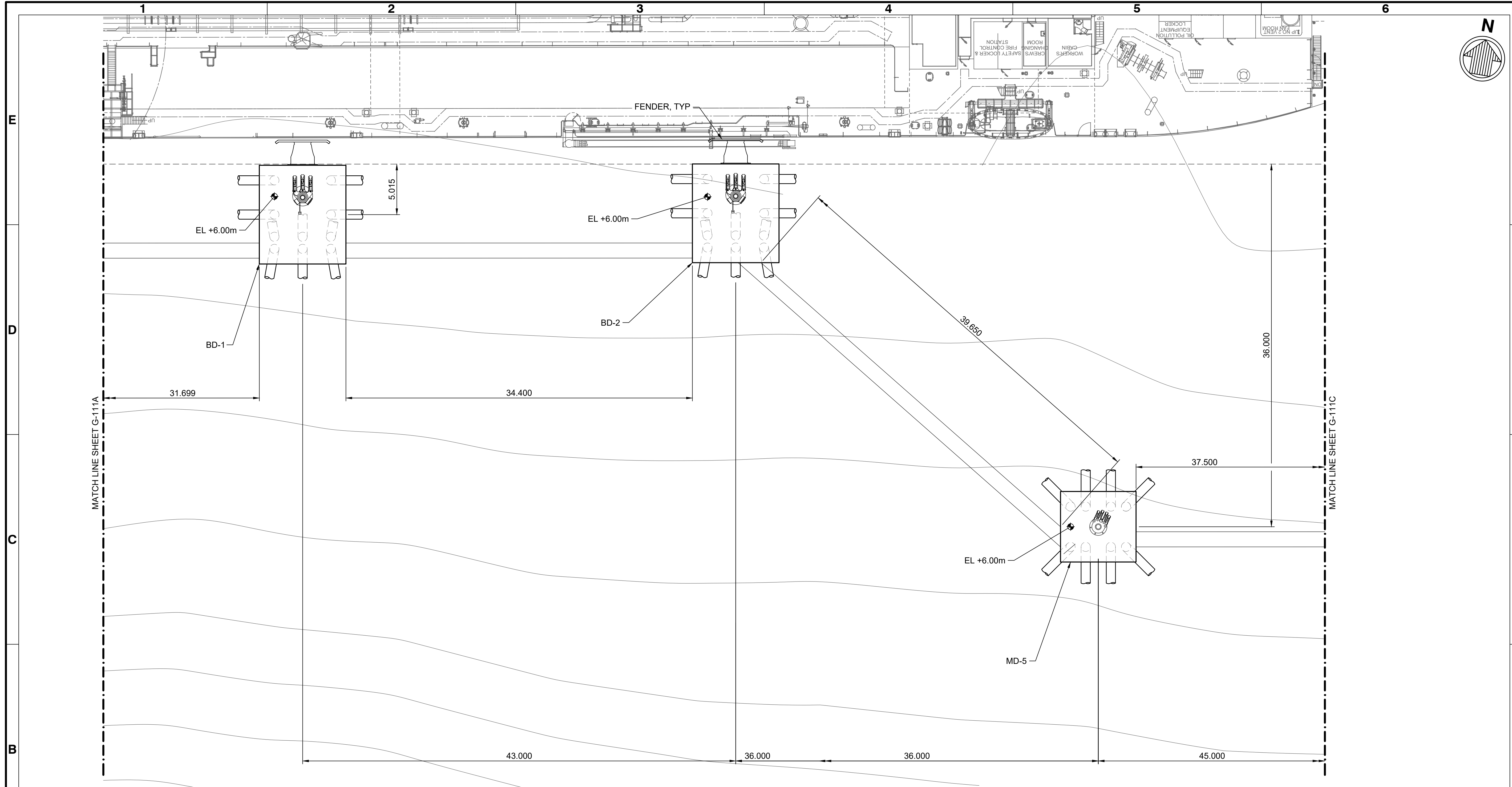
- ALL DIMENSIONS IN METRES UNLESS NOTED OTHERWISE.
- LAND LEVELS SHOWN RELATE TO ORDNANCE DATUM MALIN HEAD UNLESS OTHERWISE NOTED.
- CONTOURS ARE TAKEN FROM TOPOGRAPHICAL SURVEY BY MURPHY SURVEYS LTD, AUGUST 2006 AND ARE TO ORDNANCE DATUM MALIN HEAD.
- CO-ORDINATES SHOWN ARE TO IRISH NATIONAL GRID IN METRES.
- BATHYMETRY LEVELS ARE TO CHART DATUM, FOLLOWING HYDROGRAPHIC CONVENTION OF BEING POSITIVE BELOW CHART DATUM. CHART DATUM IS 3.0M BELOW ORDNANCE DATUM MALIN HEAD (0M CHART DATUM = -3.0M MALIN HEAD DATUM).
- BATHYMETRIC CONTOURS ARE TAKEN FROM BATHYMETRIC SURVEY CARRIED OUT BY IRISH HYDRODATA LTD, AUGUST 2006 AND ARE TO CHART DATUM.
- PIPES NOT SHOWN FOR CLARITY.
- SET POINT "B" IS DEFINED AS THE BASE CENTRE OF THE WESTERN UNLOADING ARM.
- SET POINT "C" IS DEFINED AS THE CENTRE OF THE EASTERN DOLPHIN.
- SET POINT "D" IS DEFINED AS THE CENTRE OF THE WESTERN DOLPHIN.



ISSUE FOR PLANNING
ISSUED: 2021-08-17
NOT TO BE USED FOR CONSTRUCTION

<p>THE HUB FARNBOROUGH BUSINESS PARK FOWLER AVENUE FARNBOROUGH UNITED KINGDOM T +44(0)1252 916388</p>		<p>Designed by: FMC Dwn by: REV Reviewed by: MOFFATT & NICHOL</p>	<p>Date: 2021-08-17 M&N Project No: 921236 Drawing code:</p>	<p>Rev: A Per scale: 1:1 (Metric D) Drawing Scale:</p>
<p>SHANNON LNG LIMITED SHANNON TECHNOLOGY AND ENERGY PARK (STEP)</p>		<p>FSRU JETTY HEAD ARRANGEMENT LAYOUT (2 OF 4)</p>		
<p>SEAL</p>		<p>Sheet Reference No. G-111A INDEX: 4 OF 21</p>		

File: G:\FV\0212-36 nfe shannon lng\500 CAD\1_Active\fsru concept analysis\021236G-111a.dwg; Date: 8/17/2021 10:19 a.m.; by: PEREZ, HERMES; Saved: 8/17/2021 10:02 a.m.; by: HPEREZ

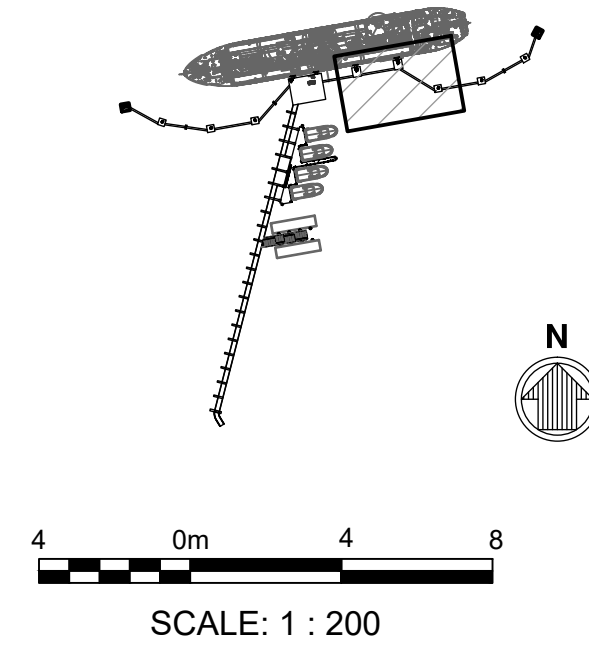


FSRU MARINE JETTY ARRANGEMENT LAYOUT
SCALE: 1:200

NOTES:

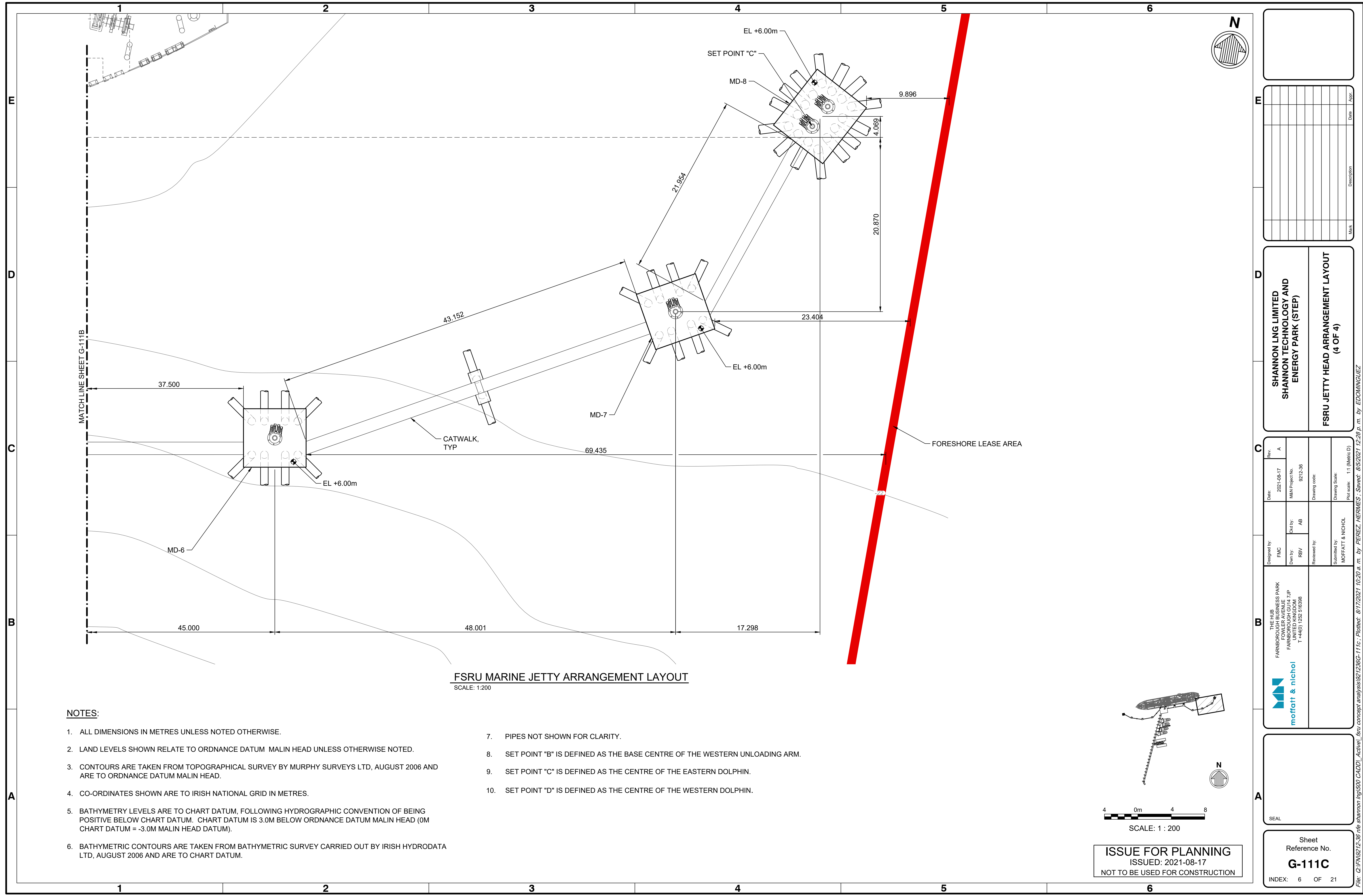
1. ALL DIMENSIONS IN METRES UNLESS NOTED OTHERWISE.
2. LAND LEVELS SHOWN RELATE TO ORDNANCE DATUM MALIN HEAD UNLESS OTHERWISE NOTED.
3. CONTOURS ARE TAKEN FROM TOPOGRAPHICAL SURVEY BY MURPHY SURVEYS LTD, AUGUST 2006 AND ARE TO ORDNANCE DATUM MALIN HEAD.
4. CO-ORDINATES SHOWN ARE TO IRISH NATIONAL GRID IN METRES.
5. BATHYMETRY LEVELS ARE TO CHART DATUM, FOLLOWING HYDROGRAPHIC CONVENTION OF BEING POSITIVE BELOW CHART DATUM. CHART DATUM IS 3.0M BELOW ORDNANCE DATUM MALIN HEAD (0M CHART DATUM = -3.0M MALIN HEAD DATUM).
6. BATHYMETRIC CONTOURS ARE TAKEN FROM BATHYMETRIC SURVEY CARRIED OUT BY IRISH HYDRODATA LTD, AUGUST 2006 AND ARE TO CHART DATUM.

7. PIPES NOT SHOWN FOR CLARITY.
8. SET POINT "B" IS DEFINED AS THE BASE CENTRE OF THE WESTERN UNLOADING ARM.
9. SET POINT "C" IS DEFINED AS THE CENTRE OF THE EASTERN DOLPHIN.
10. SET POINT "D" IS DEFINED AS THE CENTRE OF THE WESTERN DOLPHIN.



ISSUE FOR PLANNING
ISSUED: 2021-08-17
NOT TO BE USED FOR CONSTRUCTION

SHANNON LNG LIMITED SHANNON TECHNOLOGY AND ENERGY PARK (STEP)	
FSRU JETTY HEAD ARRANGEMENT LAYOUT (3 OF 4)	
THE HUB FARNBOROUGH BUSINESS PARK FOWLER AVENUE FARNBOROUGH HANTS GU14 7AB UNITED KINGDOM T +44(0)1252 516398 	Date: 2021-08-17 M&N Project No.: 921236 Drawing code: Drawing Scale: 1:1 (Metric D) Per scale: Designed by: FMC Drawn by: REV Checked by: AB Reviewed by: Submitted by: MOFFATT & NICHOL
SEAL	
Sheet Reference No. G-111B INDEX: 5 OF 21	



Mark	Description	Date	Appr

SHANNON LNG LIMITED
SHANNON TECHNOLOGY AND ENERGY PARK (STEP)

FSRU JETTY HEAD ARRANGEMENT LAYOUT
(4 OF 4)

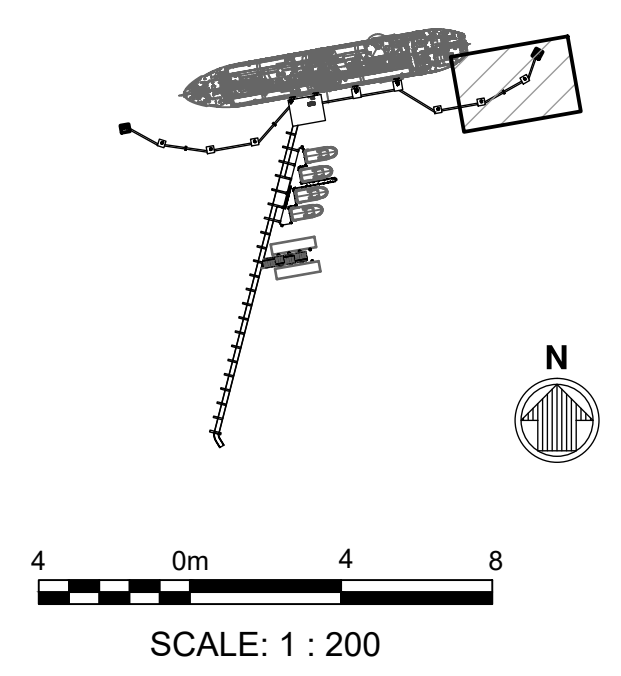
Rev.	A
Date:	2021-08-17
Owned by:	M&N Project No. 921236
Designed by:	FMC
Checked by:	REV AB
Reviewed by:	
Submitted by:	MOFFATT & NICHOL
Per scale:	1:1 (Metric D)
Drawing code:	
Drawing Scale:	

THE HUB
 FARNBOROUGH BUSINESS PARK
 FOWLER AVENUE - JP
 FARNBOROUGH
 UNITED KINGDOM
 T +44(0)1252 916388

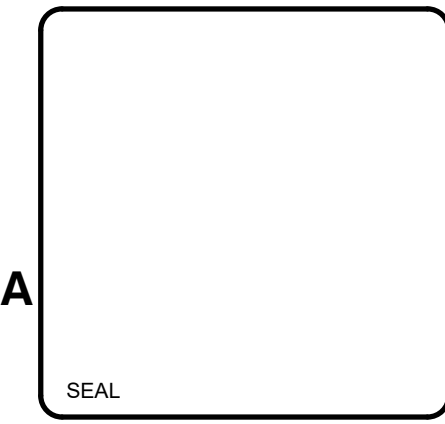
moffatt & nichol

NOTES:

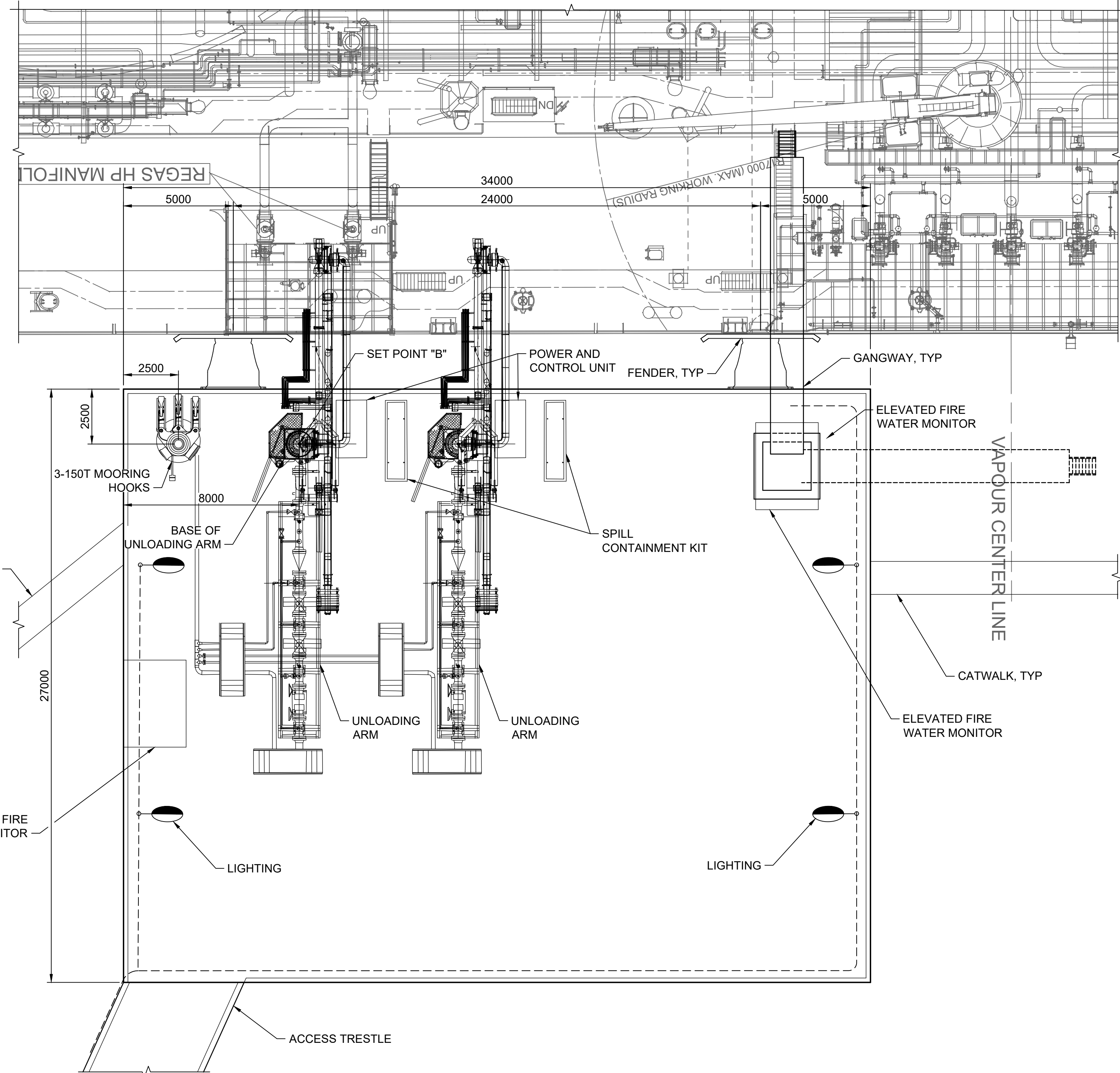
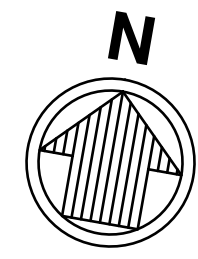
- ALL DIMENSIONS IN METRES UNLESS NOTED OTHERWISE.
- LAND LEVELS SHOWN RELATE TO ORDNANCE DATUM MALIN HEAD UNLESS OTHERWISE NOTED.
- CONTOURS ARE TAKEN FROM TOPOGRAPHICAL SURVEY BY MURPHY SURVEYS LTD, AUGUST 2006 AND ARE TO ORDNANCE DATUM MALIN HEAD.
- CO-ORDINATES SHOWN ARE TO IRISH NATIONAL GRID IN METRES.
- BATHYMETRY LEVELS ARE TO CHART DATUM, FOLLOWING HYDROGRAPHIC CONVENTION OF BEING POSITIVE BELOW CHART DATUM. CHART DATUM IS 3.0M BELOW ORDNANCE DATUM MALIN HEAD (0M CHART DATUM = -3.0M MALIN HEAD DATUM).
- BATHYMETRIC CONTOURS ARE TAKEN FROM BATHYMETRIC SURVEY CARRIED OUT BY IRISH HYDRODATA LTD, AUGUST 2006 AND ARE TO CHART DATUM.
- PIPES NOT SHOWN FOR CLARITY.
- SET POINT "B" IS DEFINED AS THE BASE CENTRE OF THE WESTERN UNLOADING ARM.
- SET POINT "C" IS DEFINED AS THE CENTRE OF THE EASTERN DOLPHIN.
- SET POINT "D" IS DEFINED AS THE CENTRE OF THE WESTERN DOLPHIN.



ISSUE FOR PLANNING
 ISSUED: 2021-08-17
 NOT TO BE USED FOR CONSTRUCTION



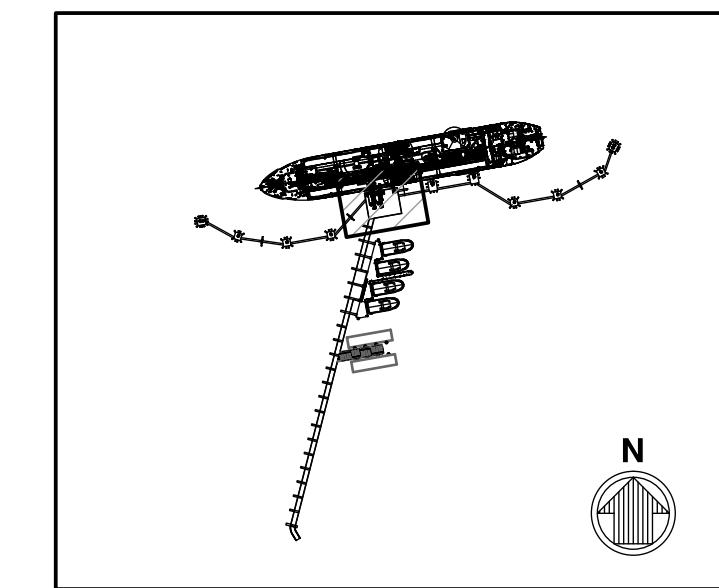
Sheet Reference No.
G-111C
 INDEX: 6 OF 21



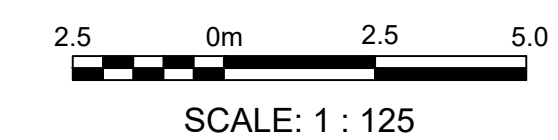
UNLOADING PLATFORM PLAN
SCALE: 1:125

NOTES:

1. ALL DIMENSIONS IN MILLIMETRES UNLESS NOTED OTHERWISE.
2. COORDINATES SHOWN ARE TO IRISH NATIONAL GRID IN METRES.
3. PIPES NOT SHOWN FOR CLARITY.
4. SET POINT "B" IS DEFINED AS THE BASE CENTRE OF THE WESTERN UNLOADING ARM.



KEY PLAN



SCALE: 1 : 125

ISSUE FOR PLANNING
ISSUED: 2021-08-17
NOT TO BE USED FOR CONSTRUCTION

Mark	Description	Date	Appr

SHANNON LNG LIMITED
SHANNON TECHNOLOGY AND ENERGY PARK (STEP)

FSRU UNLOADING PLATFORM ARRANGEMENT

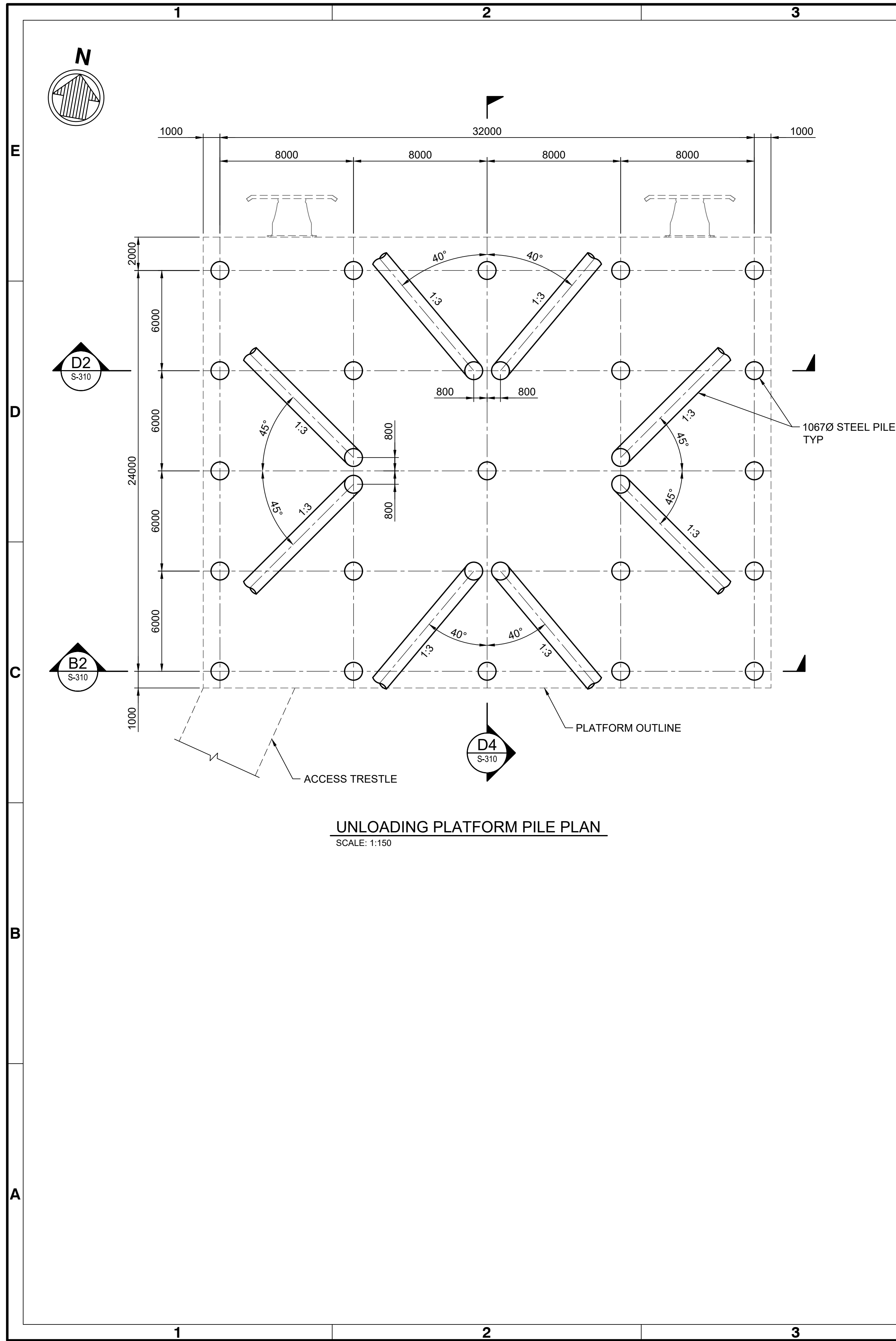
Designed by:	FMC	Date:	2021-08-17
Drawn by:	REV	M&A Project No.:	921236
Checked by:	AB	Drawing code:	
Reviewed by:	AB	Drawing Scale:	1:1 (Metric D)
Submitted by:	MOFFATT & NICHOL	Per scale:	

THE HUB
FARNBOROUGH BUSINESS PARK
FOWLER AVENUE
FARNBOROUGH
HANTS
UNITED KINGDOM
T 44(0)1252 516398

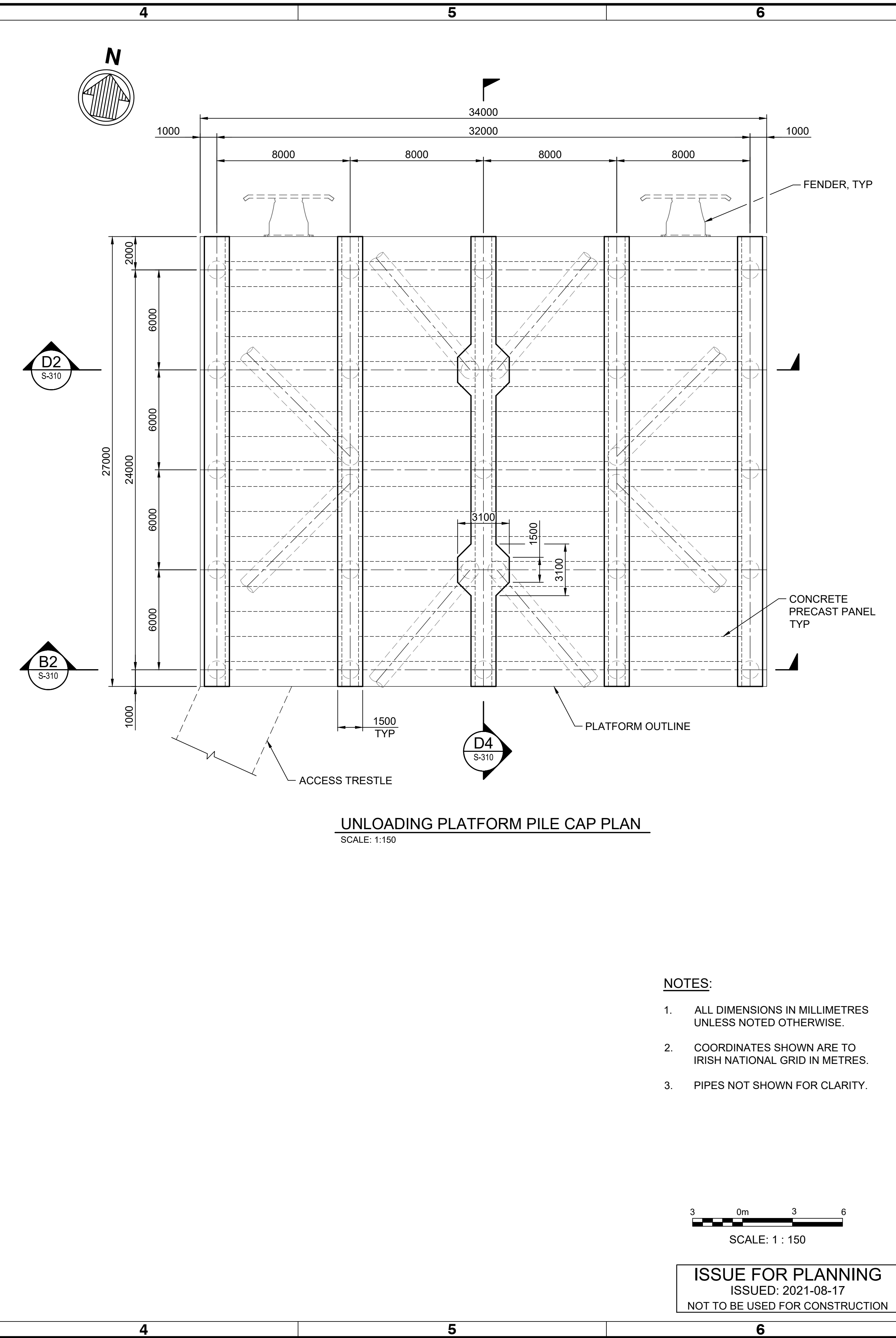
moffatt & nichol

SEAL

Sheet Reference No.
G-112
INDEX: 7 OF 21

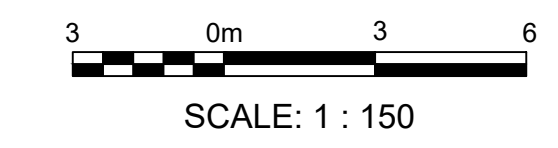


UNLOADING PLATFORM PILE PLAN
SCALE: 1:150



UNLOADING PLATFORM PILE CAP PLAN
SCALE: 1:150

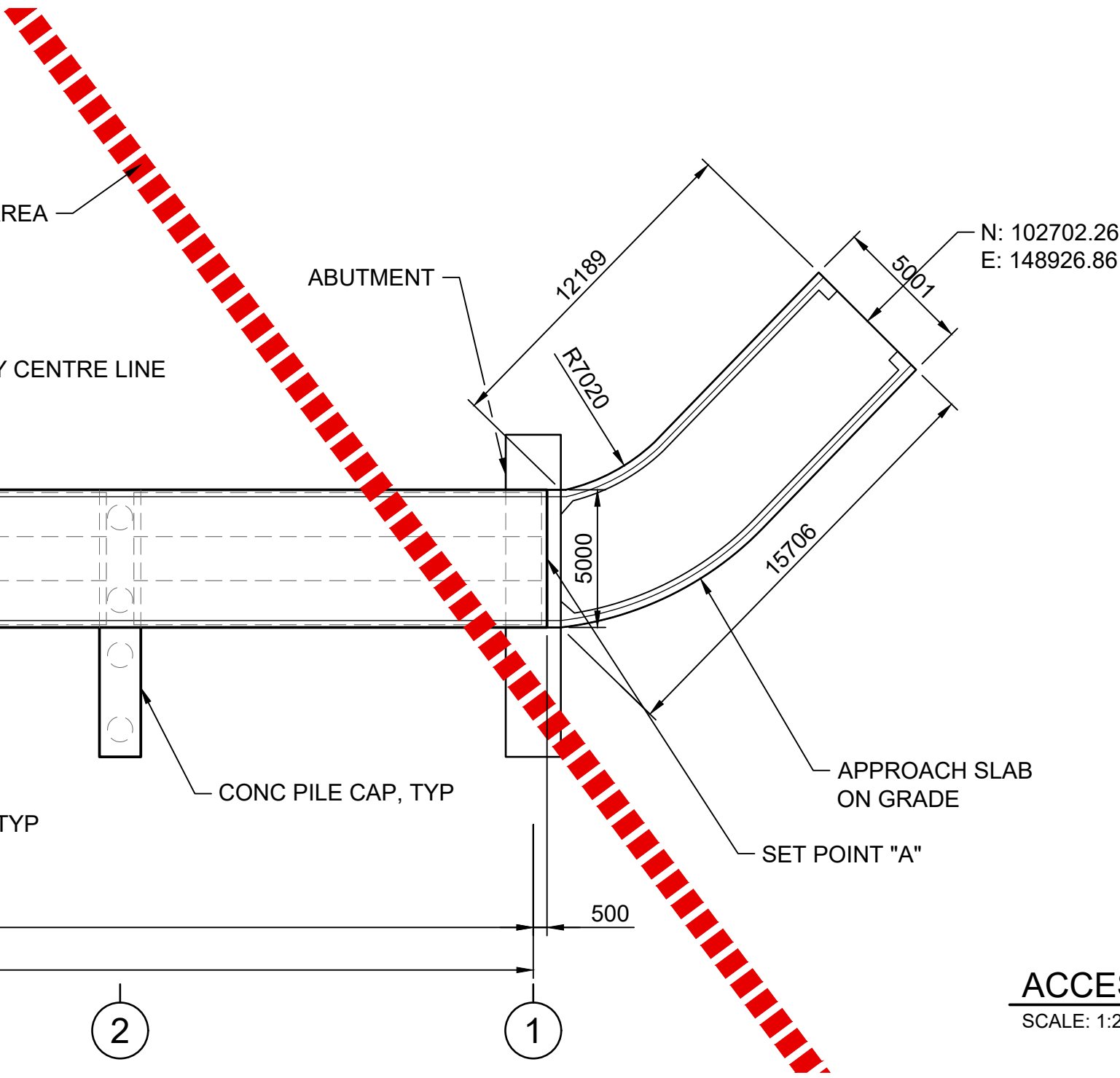
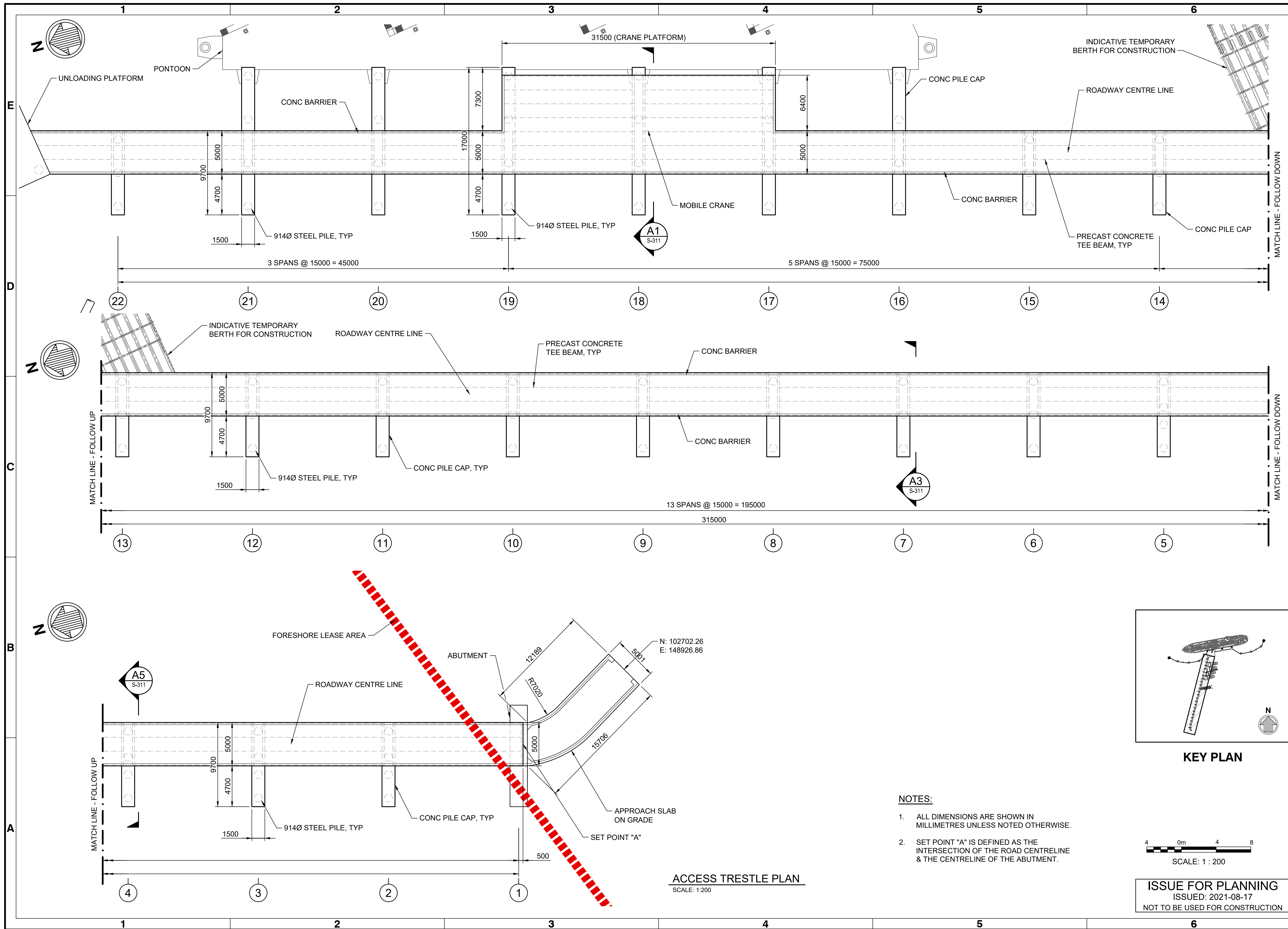
- NOTES:**
1. ALL DIMENSIONS IN MILLIMETRES UNLESS NOTED OTHERWISE.
 2. COORDINATES SHOWN ARE TO IRISH NATIONAL GRID IN METRES.
 3. PIPES NOT SHOWN FOR CLARITY.



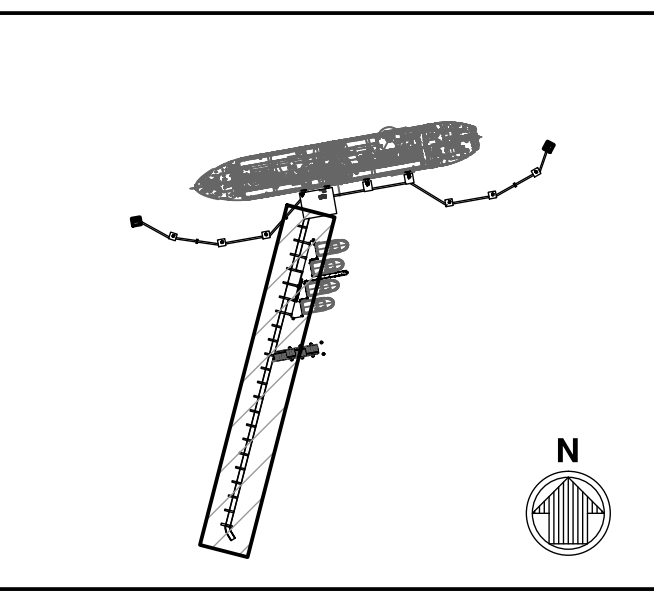
ISSUE FOR PLANNING
ISSUED: 2021-08-17
NOT TO BE USED FOR CONSTRUCTION

<p>SHANNON LNG LIMITED SHANNON TECHNOLOGY AND ENERGY PARK (STEP)</p> <p>FSRU UNLOADING PLATFORM PLAN</p>									
<p>THE HUB FARNBOROUGH BUSINESS PARK FOWLER AVENUE FARNBOROUGH SURREY GU14 7AL UNITED KINGDOM T +44(0)1252 516388</p>		<p>Designed by: FMC Dwn by: REV Ckd by: AB</p>		<p>Date: 2021-08-17 M&N Project No: 921236 Drawing code:</p>		<p>Submitted by: MOFFATT & NICHOL Reviewed by: AB</p>		<p>Drawing Scale: 1:1 (Metric D) Per scale: 1:1 (Metric D)</p>	
<p>moffatt & nichol</p>									
<p>SEAL</p>									
<p>Sheet Reference No. S-110</p>									
<p>INDEX: 8 OF 21</p>									

File: C:\FN\0212-36 nfe shannon lng\600 CAD\1_Active\lsru concept analysis\021236S-110; Plotted: 8/17/2021 10:20 a. m. by PEREZ, HERMES; Saved: 5/28/2021 12:02 p. m. by KSANCHEZ



- NOTES:**
1. ALL DIMENSIONS ARE SHOWN IN MILLIMETRES UNLESS NOTED OTHERWISE.
 2. SET POINT "A" IS DEFINED AS THE INTERSECTION OF THE ROAD CENTRELINE & THE CENTRELINE OF THE ABUTMENT.



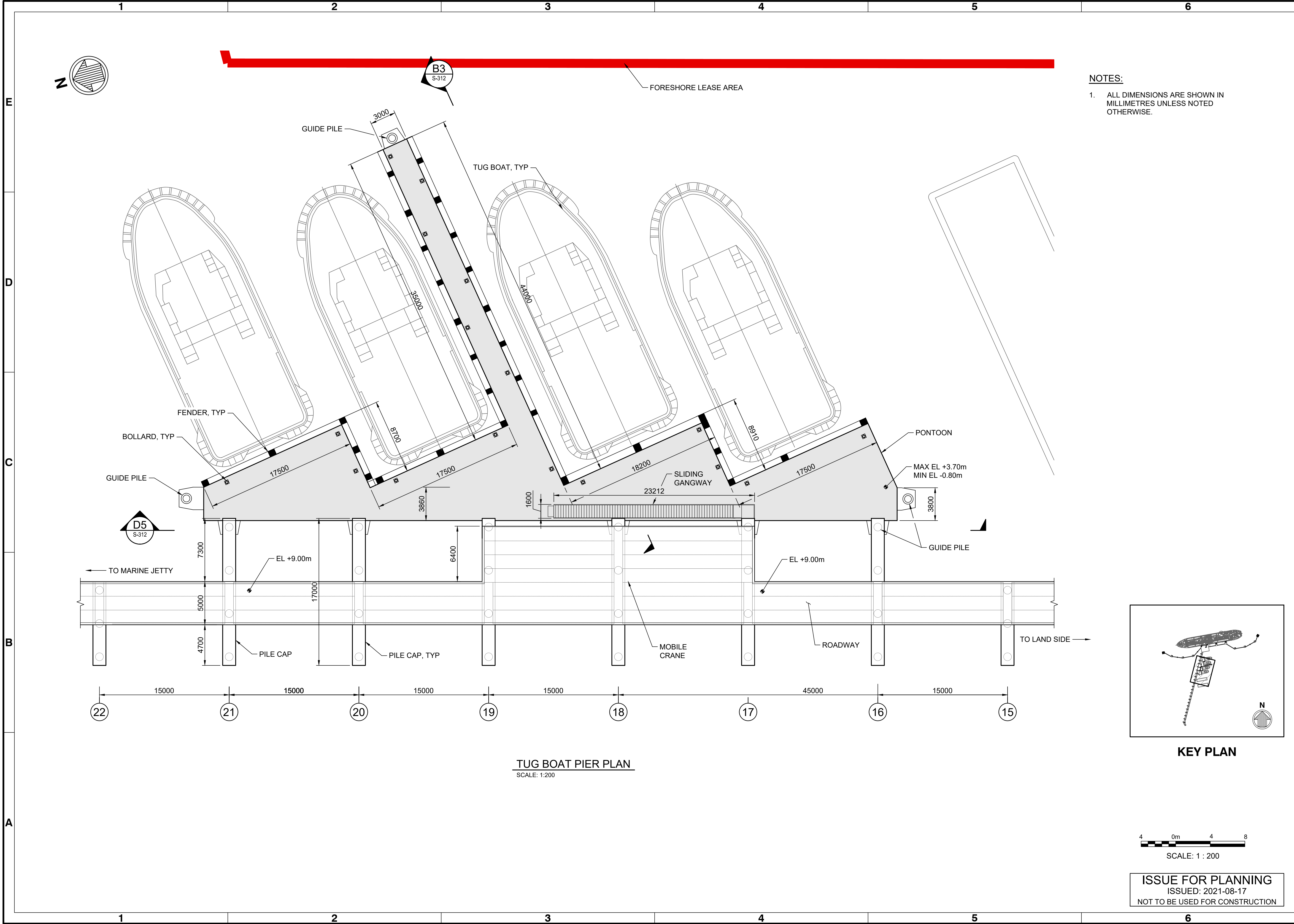
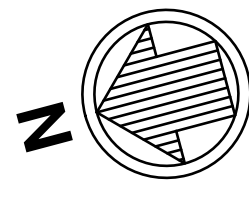
KEY PLAN



ISSUE FOR PLANNING
 ISSUED: 2021-08-17
 NOT TO BE USED FOR CONSTRUCTION

<p>SHANNON LING LIMITED SHANNON TECHNOLOGY AND ENERGY PARK (STEP)</p>	
<p>ACCESS TRESTLE PLAN</p>	
<p>Designed by: FMC</p>	<p>Date: 2021-08-17</p>
<p>Drawn by: REV</p>	<p>MAN Project No: 921236</p>
<p>Checked by: AB</p>	<p>Drawing code:</p>
<p>Reviewed by: AB</p>	<p>Drawing Scale: 1:1 (Metric D)</p>
<p>Submitted by: MOFFATT & NICHOL</p>	
<p>THE HUB FARNBOROUGH BUSINESS PARK FOWLER AVENUE FARNBOROUGH, SURREY GU14 7JF UNITED KINGDOM T +44(0)1252 516398</p>	
<p>moffatt & nichol</p>	
<p>Sheet Reference No. S-111</p>	
<p>INDEX: 9 OF 21</p>	

File: C:\FNI\9212-36 nfe shannon lng\500 CAD\1_Active\Isru concept analysis\921236S-111 ; Plotted: 8/17/2021 10:21 a.m. by PEREZ, HERMES; Saved: 8/10/2021 5:18 p.m. by EDMINGUEZ



NOTES:
1. ALL DIMENSIONS ARE SHOWN IN MILLIMETRES UNLESS NOTED OTHERWISE.

Mark	Description	Date	Appt

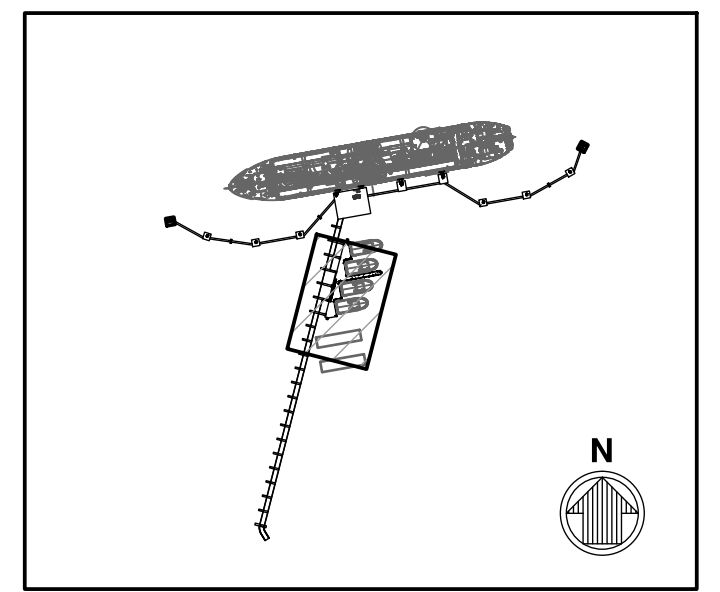
**SHANNON LNG LIMITED
SHANNON TECHNOLOGY AND
ENERGY PARK (STEP)**

TUG BERTH PLAN

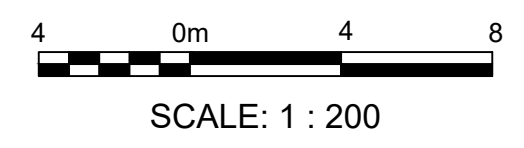
Rev.	Date	Designed by	Drawn by	Checked by	Reviewed by	Submitted by	Drawing Code	Drawing Scale	Per Scale
	2021-08-17	FMC	REV	AB	AB	MOFFATT & NICHOL		1:1 (Metric D)	

THE HUB
FARNBOROUGH BUSINESS PARK
FOWLER AVENUE
FARNBOROUGH
SANTON TILLY
UNITED KINGDOM
T +44(0)1252 516388

moffatt & nichol



KEY PLAN



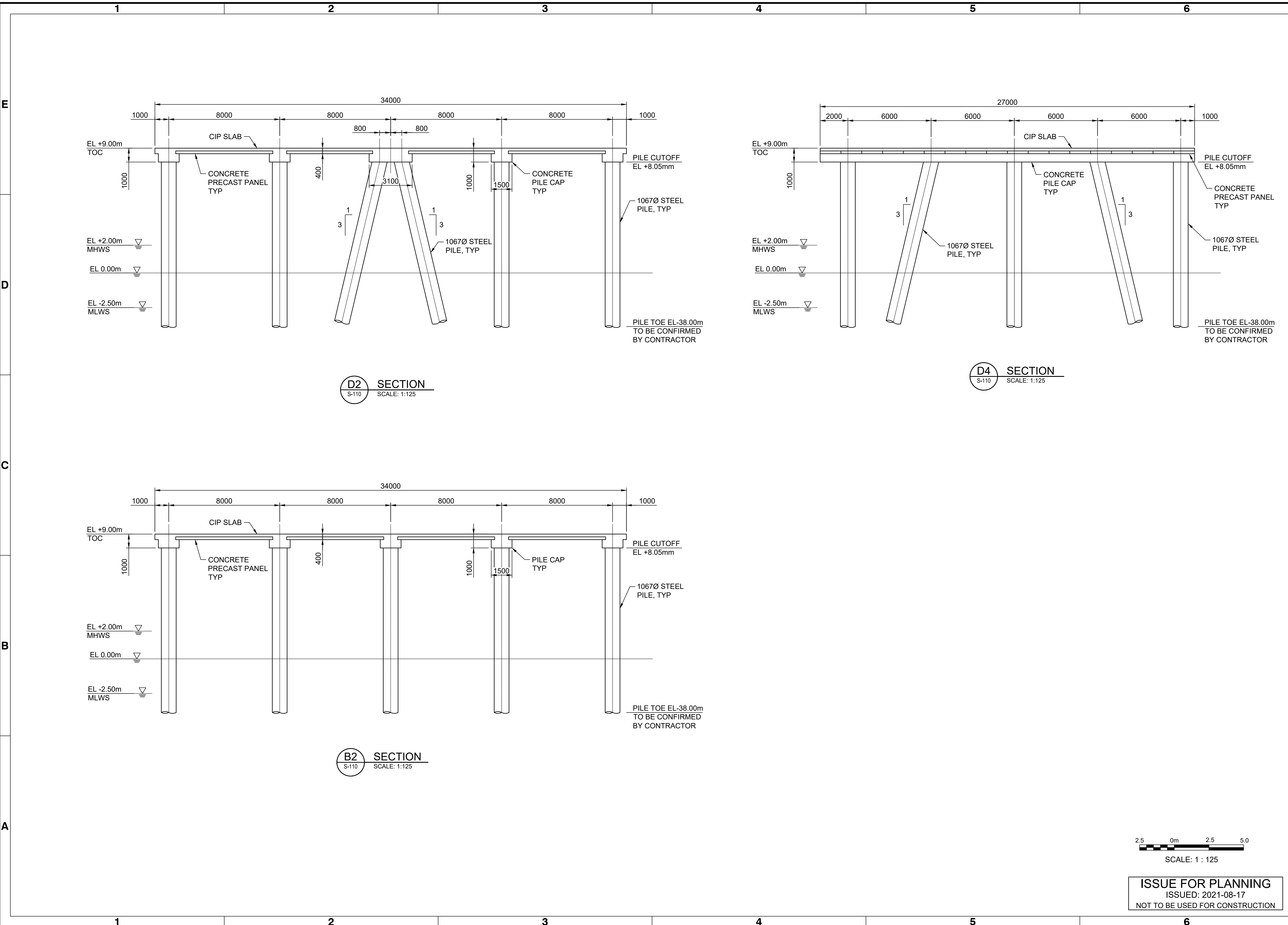
SCALE: 1 : 200

ISSUE FOR PLANNING
ISSUED: 2021-08-17
NOT TO BE USED FOR CONSTRUCTION

SEAL

Sheet Reference No.
S-112
INDEX: 10 OF 21

File: C:\FN\0212-36 nfe shannon lng\500 CAD\1_Active\Isru concept analysis\021236S-112 - Plotted: 8/17/2021 10:21 a. m. by PEREZ, HERMES - Saved: 6/3/2021 5:07 p. m. by KSANCHEZ



Rev.	Date	Description

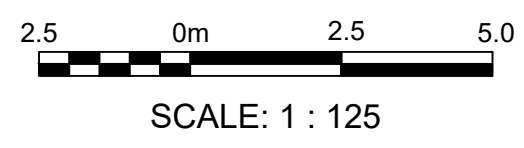
SHANNON LNG LIMITED
SHANNON TECHNOLOGY AND ENERGY PARK (STEP)

FSRU UNLOADING PLATFORM SECTIONS

Designed by:	FMC	Date:	2021-08-17
Dwn by:	REV	M&A Project No.:	921236
Reviewed by:	AB	Drawing code:	
Submitted by:	MOFFATT & NICHOL	Drawing Scale:	1:1 (Metric D)

THE HUB
 FARNBOROUGH BUSINESS PARK
 FOWLER AVENUE
 FARNBOROUGH
 HANTS
 UNITED KINGDOM
 T +44(0)1252 516388

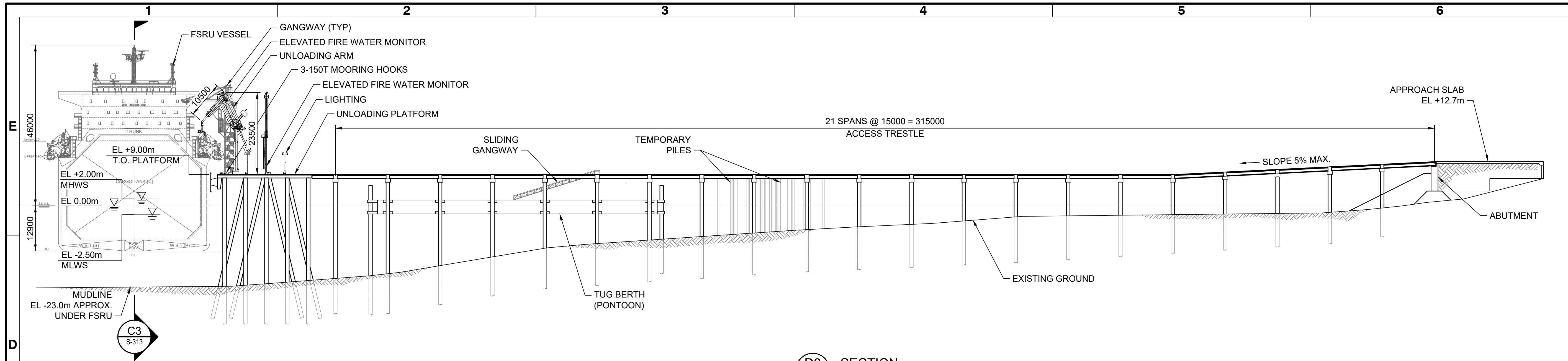
moffatt & nichol



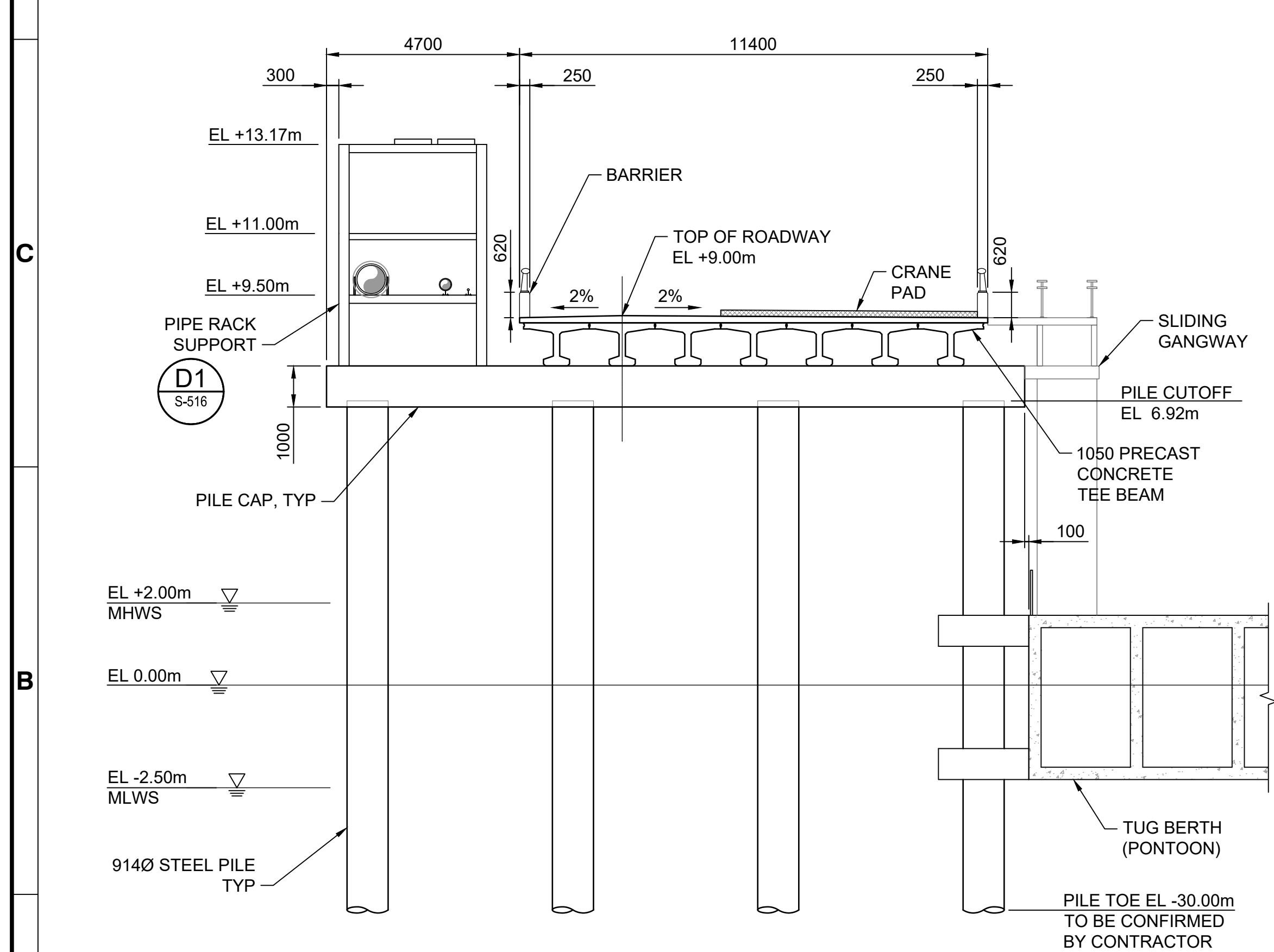
ISSUE FOR PLANNING
 ISSUED: 2021-08-17
 NOT TO BE USED FOR CONSTRUCTION

SEAL

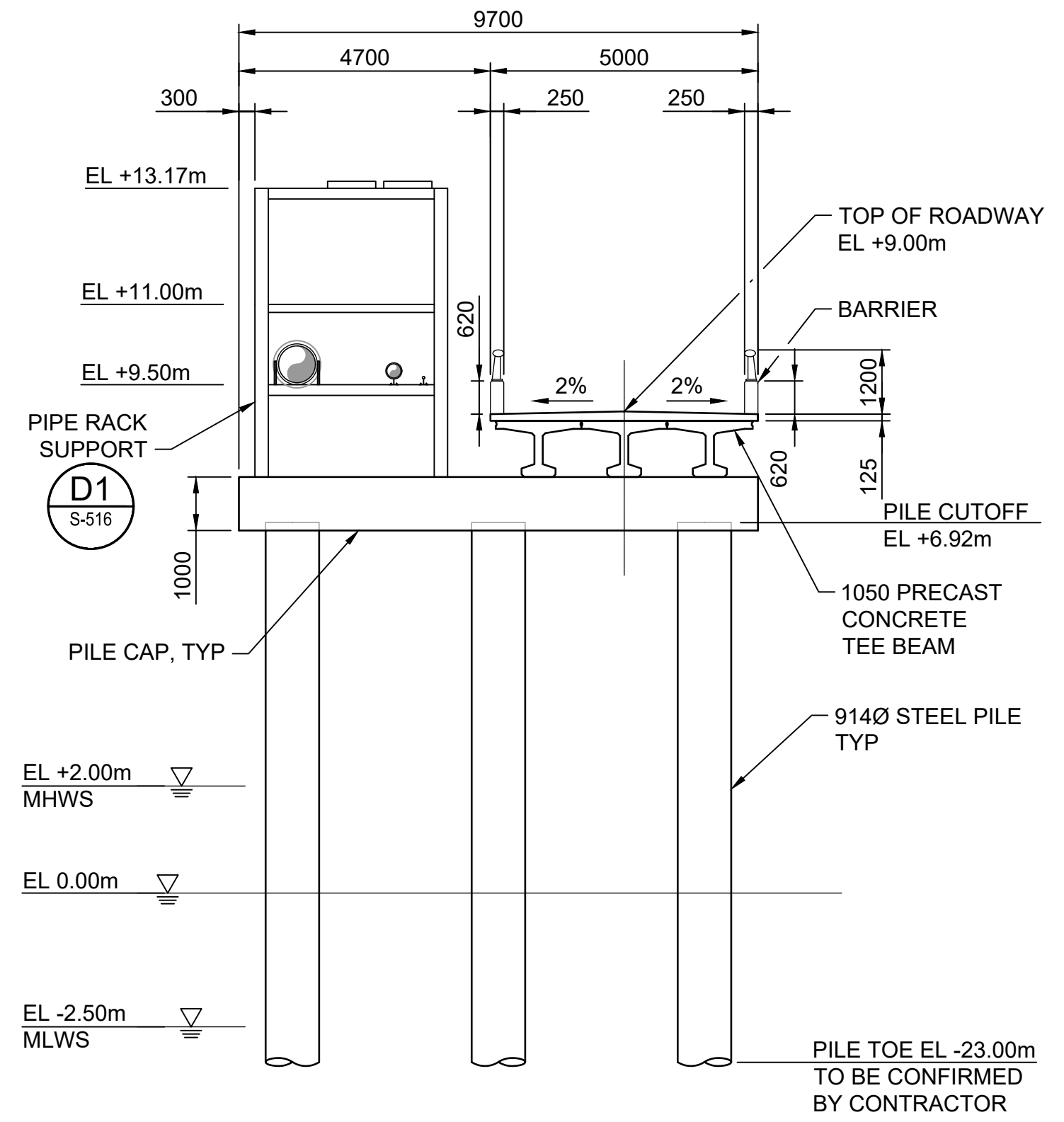
Sheet Reference No.
S-310
 INDEX: 11 OF 21



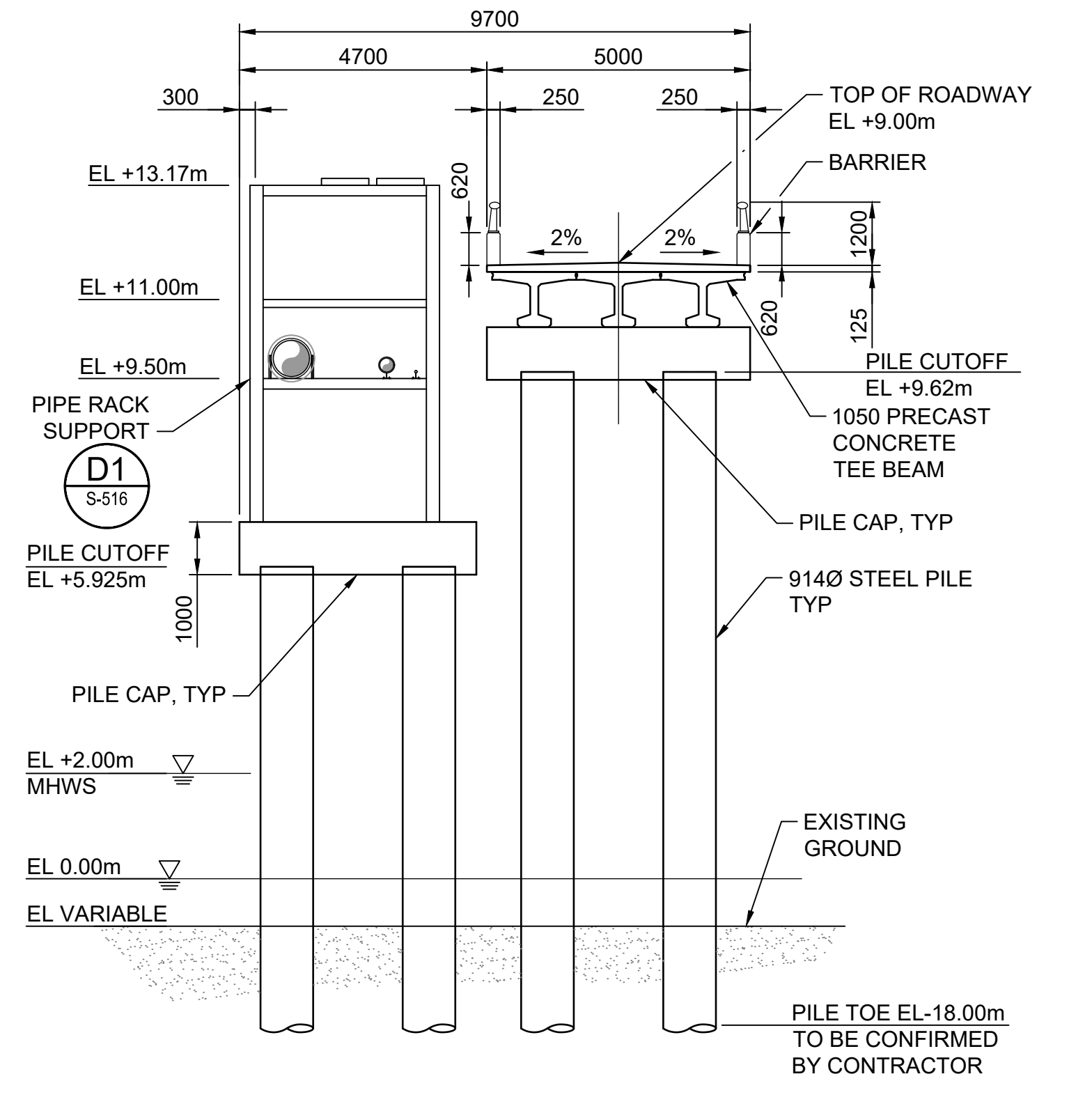
D3 SECTION
G-110 SCALE: 1:600



A1 SECTION
S-111 SCALE: 1:100



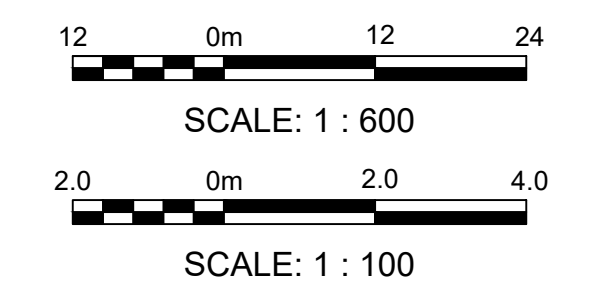
A3 SECTION
S-111 SCALE: 1:100



A5 SECTION
S-111 SCALE: 1:100

NOTES:

- ALL DIMENSIONS ARE SHOWN IN MILLIMETRES UNLESS NOTED OTHERWISE.
- ALL ELEVATIONS ARE IN METRES UNLESS NOTED OTHERWISE
- BATHYMETRY LEVELS ARE TO CHART DATUM, FOLLOWING HYDROGRAPHIC CONVENTION OF BEING POSITIVE BELOW CHART DATUM. CHART DATUM IS 3.0M BELOW ORDANCE DATUM MALIN HEAD (0M CHART DATUM = -3.0M MALIN HEAD DATUM)



ISSUE FOR PLANNING
ISSUED: 2021-08-17
NOT TO BE USED FOR CONSTRUCTION

Rev.	Date	By	Description

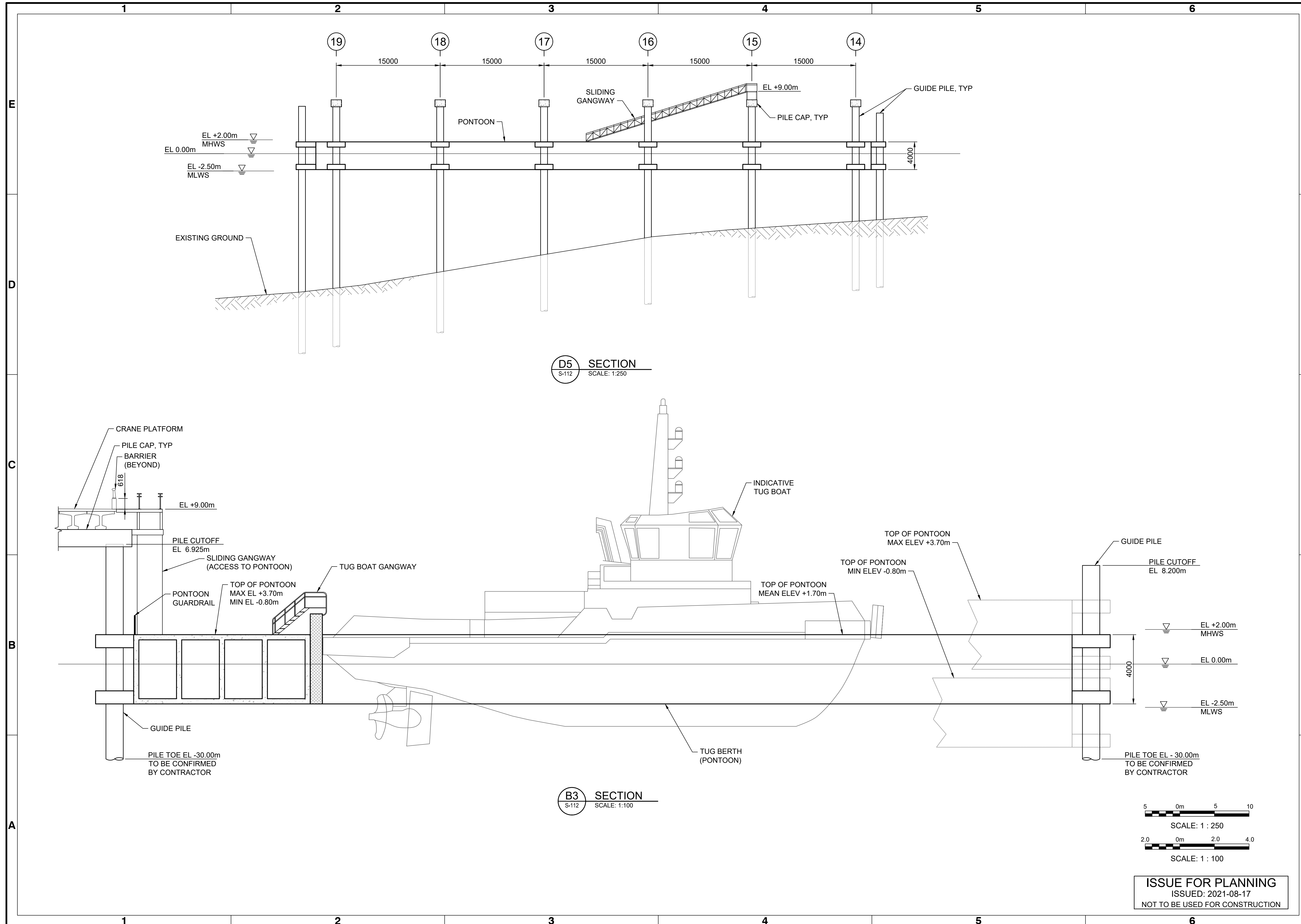
SHANNON LNG LIMITED
SHANNON TECHNOLOGY AND ENERGY PARK (STEP)

ACCESS TRESTLE SECTIONS

Designed by: FMC	Date: 2021-08-17	Rev: 02	Per scale: 1:1 (Metric D)
Drawn by: REV	M&A Project No: 921236	Checked by: AB	Drawing code:
Submitted by: AB	Submitted by: MOFFATT & NICHOL	Reviewed by: AB	Drawing Scale:
THE HUB FARNBOROUGH BUSINESS PARK FOWLER AVENUE FARNBOROUGH HANTS UNITED KINGDOM T +44(0)1252 516398 			

SEAL

Sheet Reference No.
S-311
INDEX: 12 OF 21



D5 SECTION
S-112 SCALE: 1:250

B3 SECTION
S-112 SCALE: 1:100



ISSUE FOR PLANNING
ISSUED: 2021-08-17
NOT TO BE USED FOR CONSTRUCTION

--	--	--

Rev.	Date	Description

SHANNON LNG LIMITED
SHANNON TECHNOLOGY AND ENERGY PARK (STEP)
TUG BERTH SECTIONS

Designed by:	FMIC	Checked by:	AB	Reviewed by:	AB	Submitted by:	MOFFATT & NICHOL
Date:	2021-08-17	M&N Project No.:	921236	Drawing code:		Drawing Scale:	1:1 (Metric D)

THE HUB
FARNBOROUGH BUSINESS PARK
FOWLER AVENUE
FARNBOROUGH
HANTS
UNITED KINGDOM
T +44(0)1252 916388

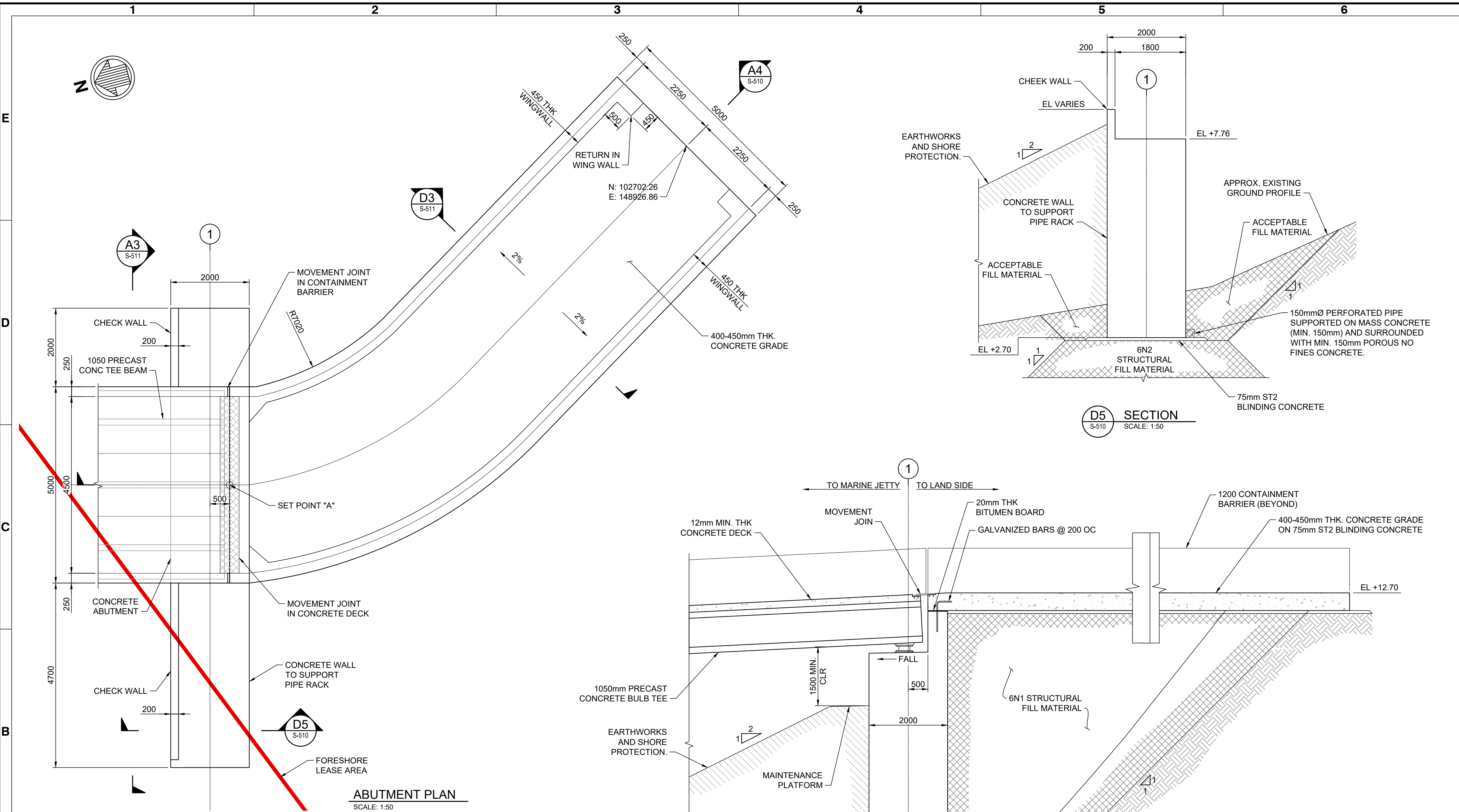
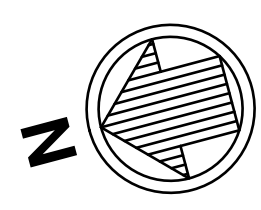
moffatt & nichol

SEAL

Sheet Reference No.
S-312
INDEX: 13 OF 21

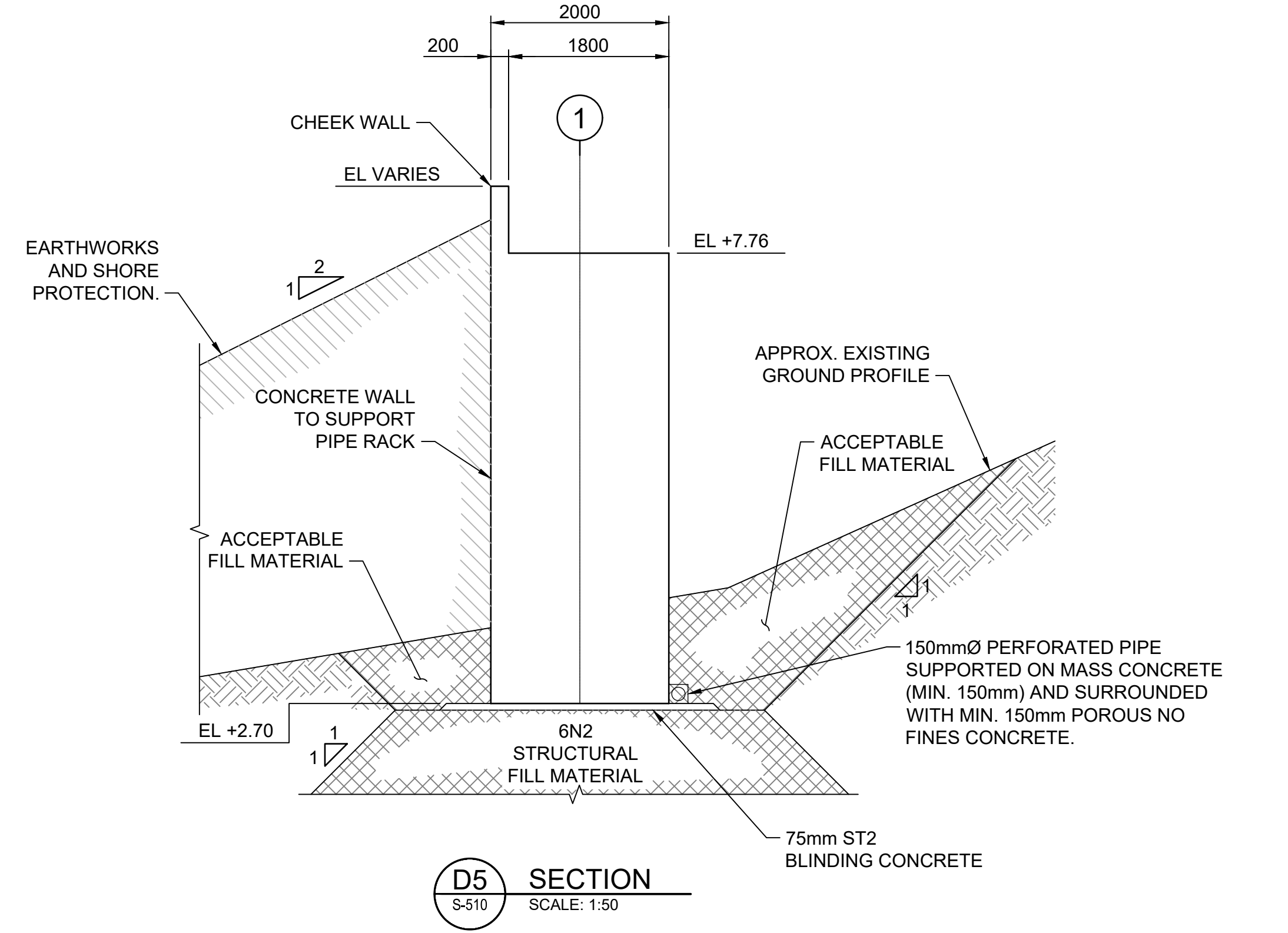
DRAWING SCALES SHOWN BASED ON 22"x34" DRAWING

File: C:\FN\9212-36 nfe shannon lng\500 CAD\1_Active\Isu concept analysis\921236S-312 - Plotted: 8/17/2021 10:22 a. m. by PEREZ, HERMES; Saved: 6/3/2021 5:07 p. m. by KSANCHEZ

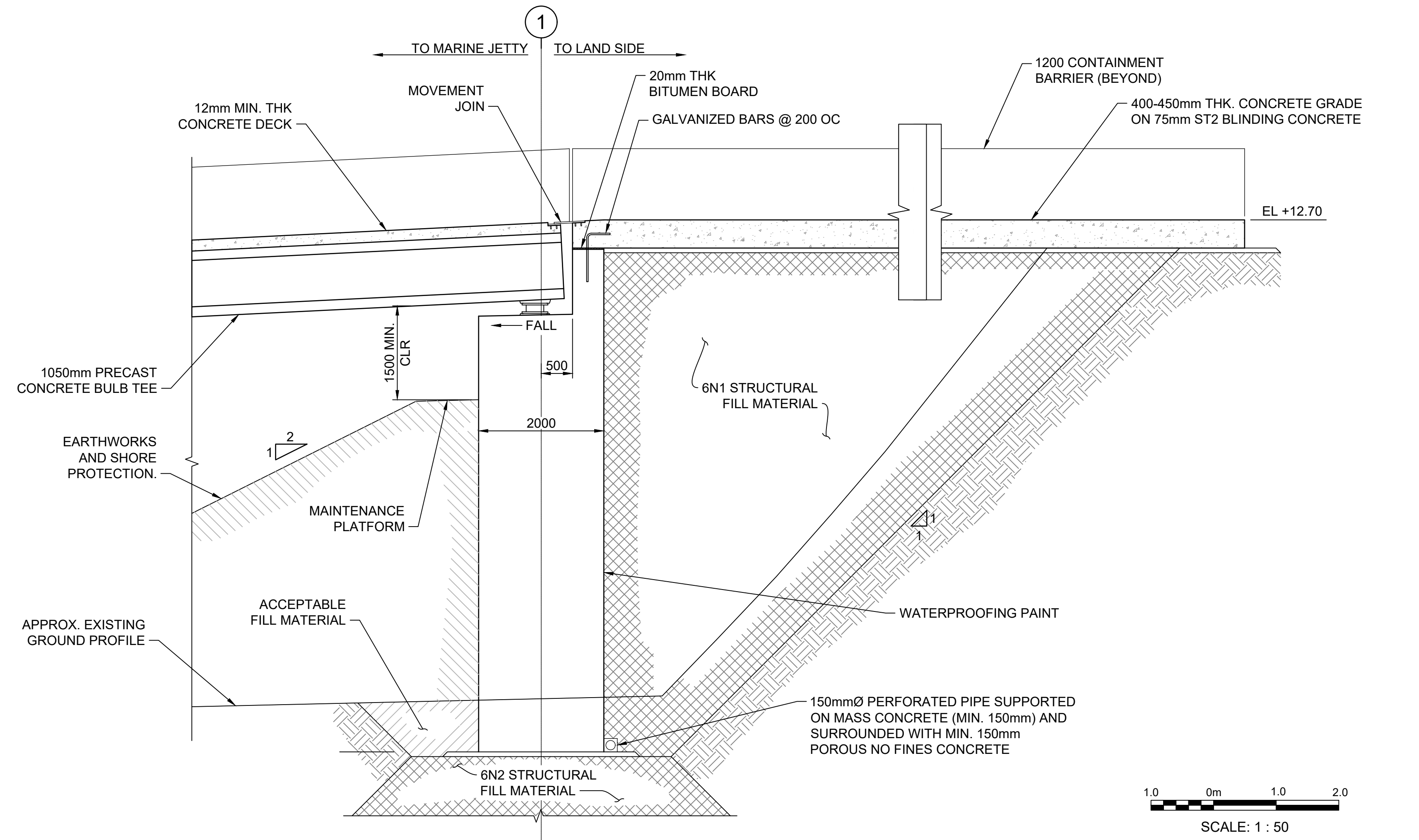


ABUTMENT PLAN
SCALE: 1:50

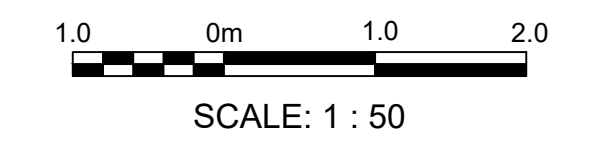
- NOTES:**
1. ALL DIMENSIONS ARE SHOWN IN MILLIMETRES UNLESS NOTED OTHERWISE.
 2. LAND LEVELS SHOWN RELATE TO ORDANCE DATUM MALIN HEAD UNLESS OTHERWISE NOTED.
 3. CO-ORDINATES SHOWN ARE TO IRISH NATIONAL GRID IN METRES.
 4. SET POINT "A" IS DEFINED AS THE INTERSECTION OF THE ROAD CENTRELINE & THE CENTRELINE OF THE ABUTMENT.
 5. ALL BURIED CONCRETE SURFACES SHALL BE TREATED WITH TWO COATS OF EPOXY RESIN WATERPROOFING PAINT.
 6. EXTERNAL CONCRETE ARISING TO BE CHAMFERED 25x25 UNO.



D5 SECTION
SCALE: 1:50



A4 SECTION
SCALE: 1:50



ISSUE FOR PLANNING
ISSUED: 2021-08-17
NOT TO BE USED FOR CONSTRUCTION

Rev.	Date	Description

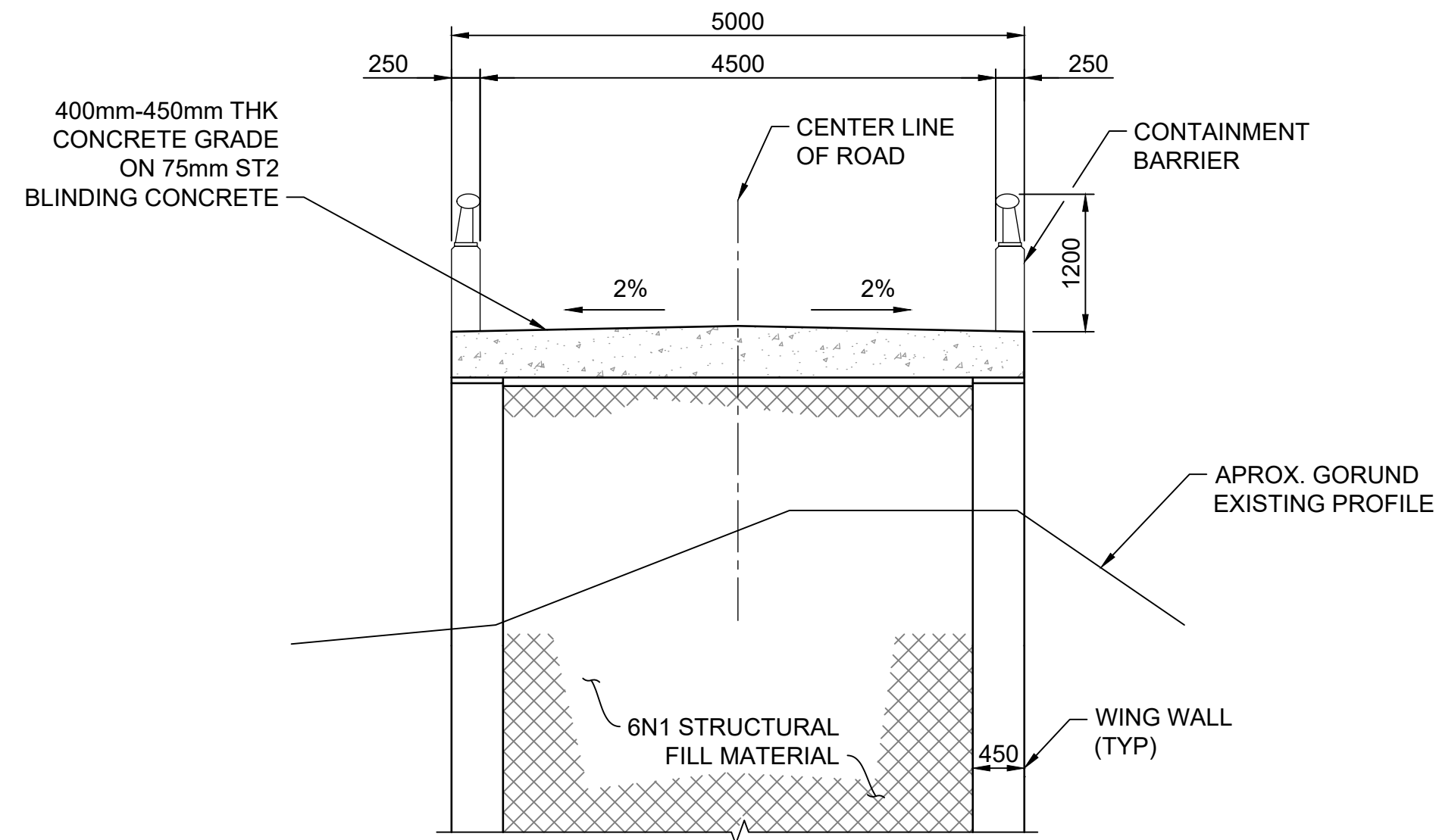
SHANNON LNG LIMITED
SHANNON TECHNOLOGY AND ENERGY PARK (STEP)
ABUTMENT AND RUN ON SLAB (1 OF 2)

Designed by:	FMC	Checked by:	AB	Reviewed by:	AB	Submitted by:	MOFFATT & NICHOL
Date:	2021-08-17	M&N Project No.:	921236	Drawing code:		Drawing Scale:	1:1 (Metric D)
Drawn by:	REV	Drawn by:	AB	Drawn by:	AB	Per scale:	1:1 (Metric D)

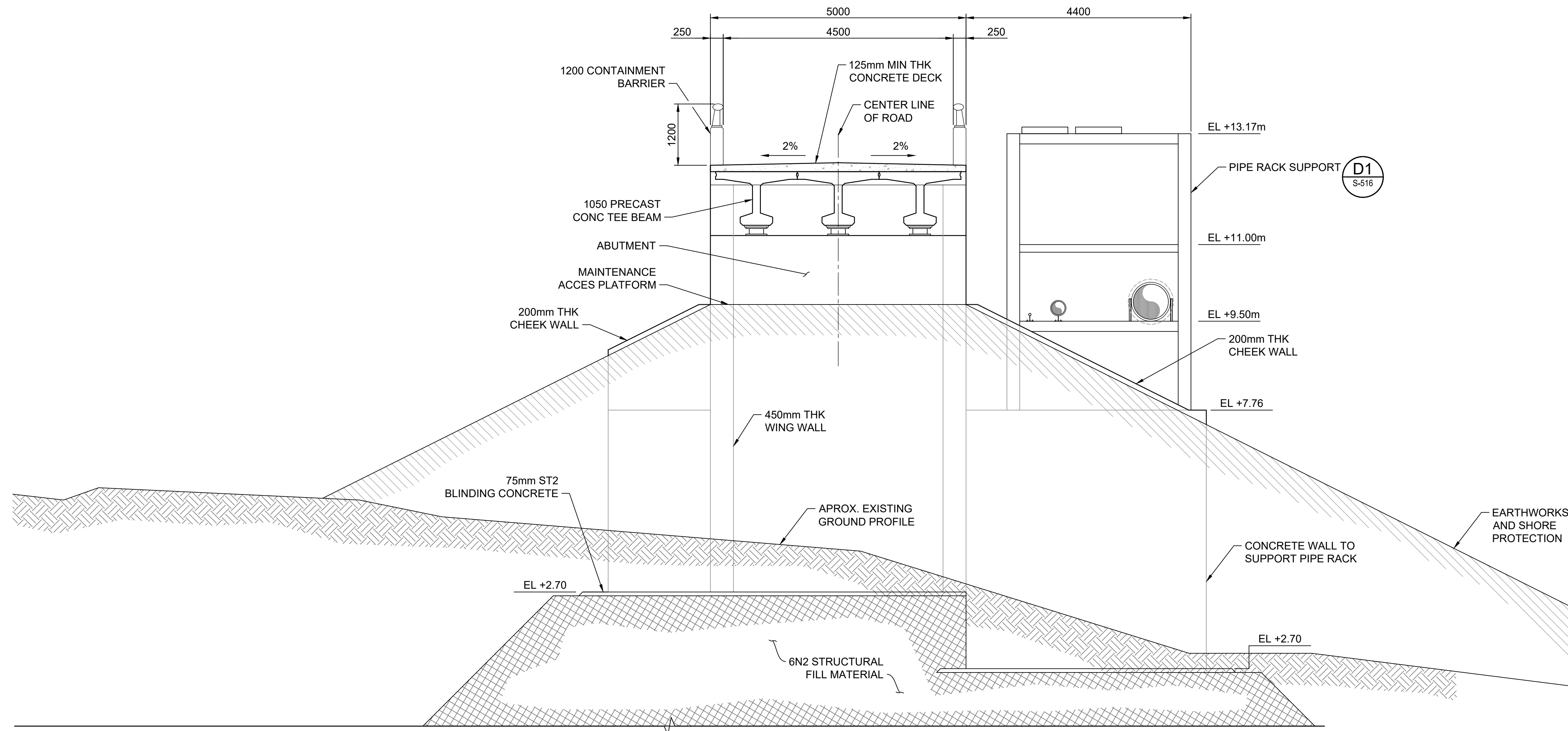
THE HUB
FARNBOROUGH BUSINESS PARK
FOWLER AVENUE
FARNBOROUGH
HANTS GU14 7JH
UNITED KINGDOM
T +44(0)1252 916398

SEAL

Sheet Reference No.
S-510
INDEX: 15 OF 21



D3 SECTION
S-510 SCALE: 1:50



A3 SECTION
S-510 SCALE: 1:50

NOTES:

1. ALL DIMENSIONS ARE SHOWN IN MILLIMETRES UNLESS NOTED OTHERWISE.
2. LAND LEVELS SHOWN RELATE TO ORDNANCE DATUM MALIN HEAD UNLESS OTHERWISE NOTED.
3. ALL BURIED CONCRETE SURFACES SHALL BE TREATED WITH TWO COATS OF EPOXY RESIN WATERPROOFING PAINT.
4. EXTERNAL CONCRETE ARISING TO BE CHAMFERED 25x25 UNO.

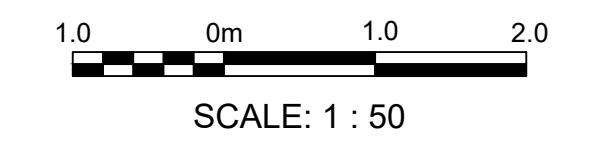
SHANNON LING LIMITED
SHANNON TECHNOLOGY AND ENERGY PARK (STEP)
ABUTMENT AND RUN ON SLAB (2 OF 2)

Designed by:	FMC	Checked by:	AB	Reviewed by:	AB	Submitted by:	MOFFATT & NICHOL
Date:	2021-08-17	M&N Project No.:	921236	Drawing code:		Drawing Scale:	1:1 (Metric D)

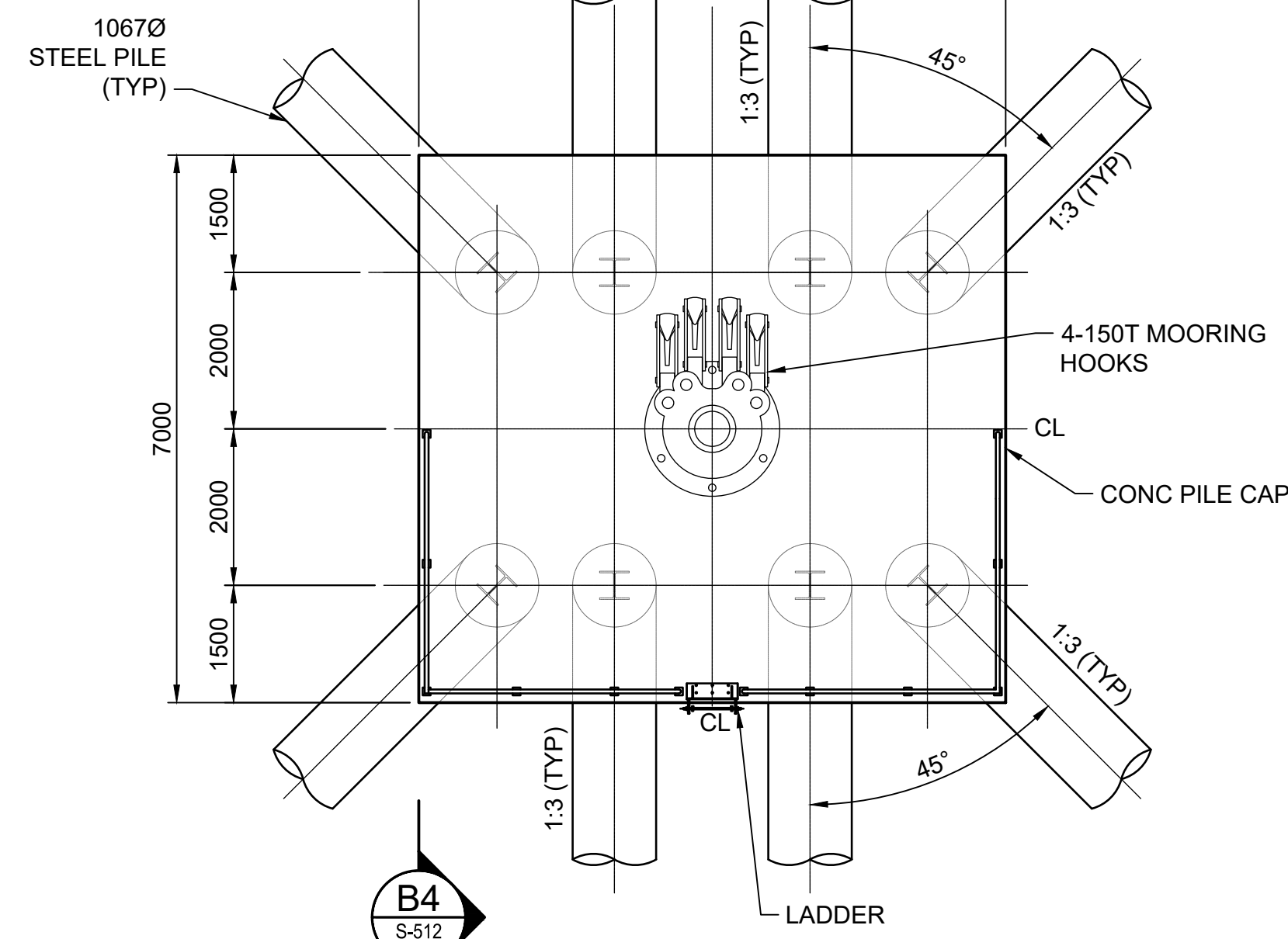
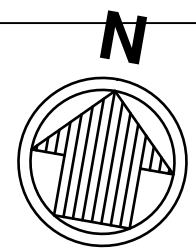
THE HUB
FARNBOROUGH BUSINESS PARK
FOWLER AVENUE
FARNBOROUGH
HANTS
UNITED KINGDOM
T +44(0)1252 516388

SEAL

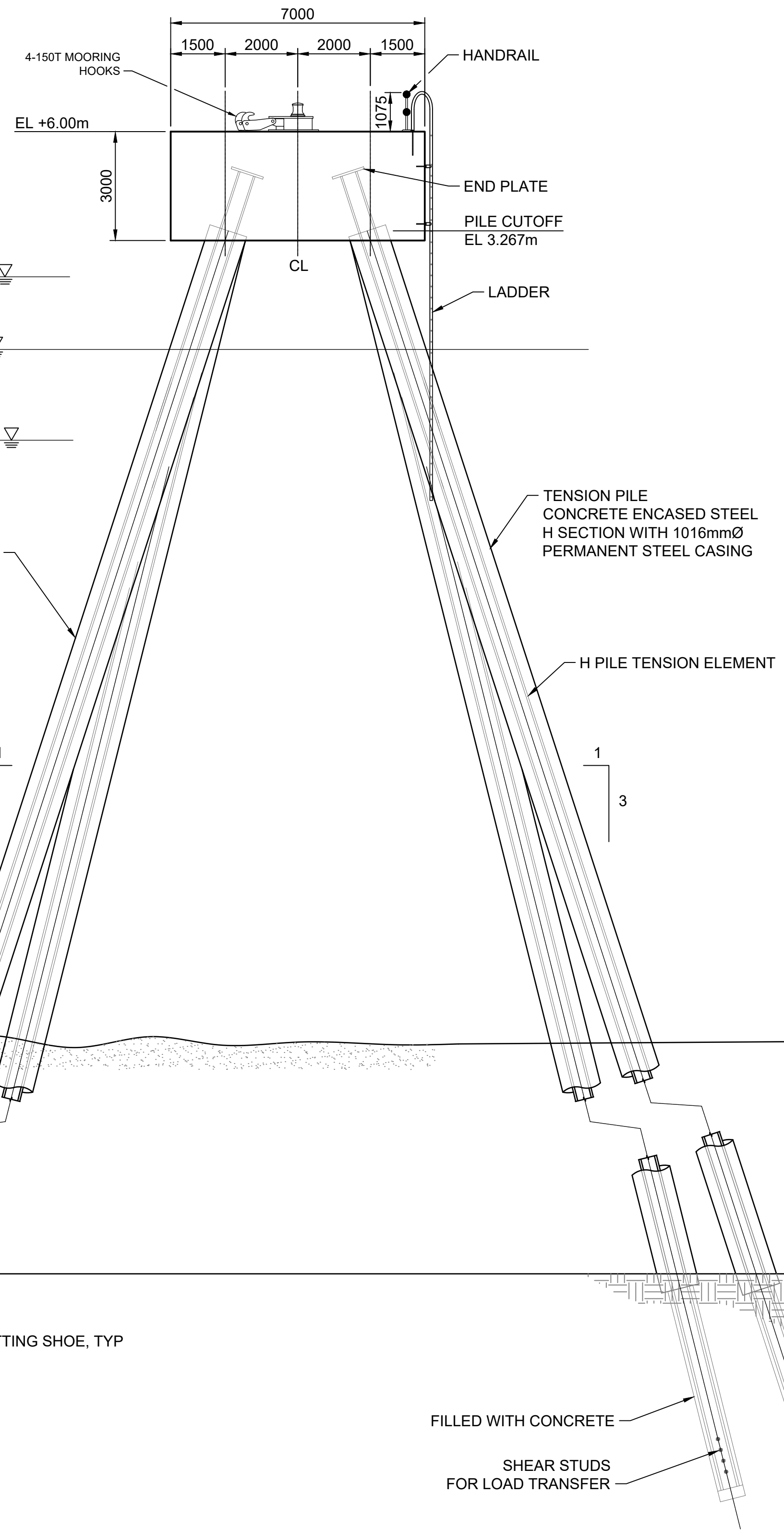
Sheet Reference No.
S-511
INDEX: 16 OF 21



ISSUE FOR PLANNING
ISSUED: 2021-08-17
NOT TO BE USED FOR CONSTRUCTION



MOORING DOLPHIN PLAN
SCALE: 1:75



B4 MOORING DOLPHIN SECTION
SCALE: 1:100

NOTES:

- ALL DIMENSIONS ARE SHOWN IN MILLIMETERS UNLESS NOTED OTHERWISE.
- BATHYMETRIC CONTOURS ARE TAKEN FROM BATHYMETRIC SURVEY CARRIED OUT BY IRISH HYDRODATA LTD. AUGUST 2006 AND ARE TO CHART DATUM.

Mark	Date	Description

SHANNON LNG LIMITED
SHANNON TECHNOLOGY AND
ENERGY PARK (STEP)

MOORING DOLPHIN
SINGLE HOOK DETAILS

Rev.	Date	Designed by	Checked by	Reviewed by	Submitted by
	2021-08-17	FMC	AB	AB	MOFFATT & NICHOL

THE HUB
FARNBOROUGH BUSINESS PARK
FOWLER AVENUE
FARNBOROUGH
UNITED KINGDOM
T +44(0)1252 516388

SEAL



SCALE: 1 : 100

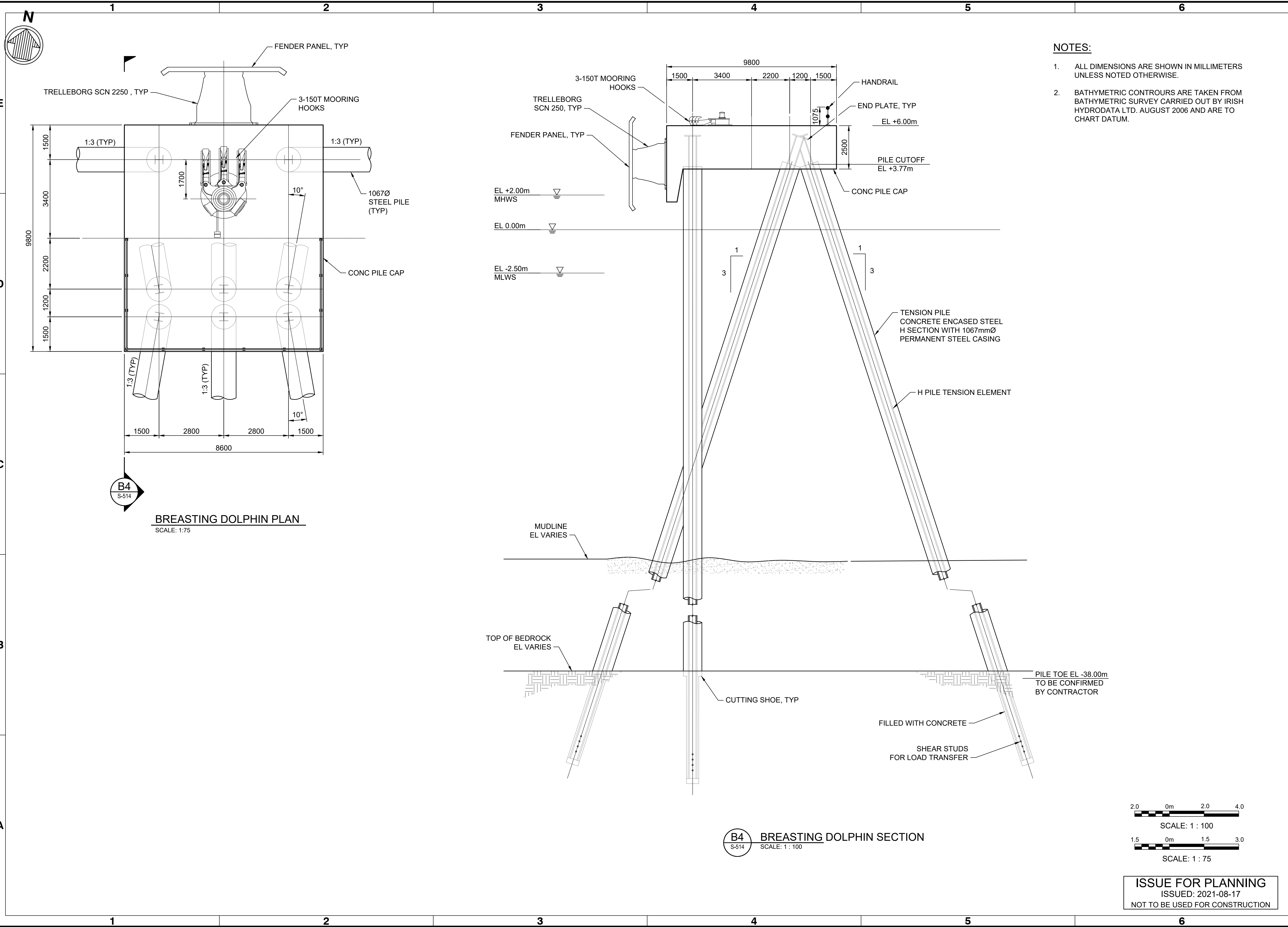


SCALE: 1 : 75

ISSUE FOR PLANNING
ISSUED: 2021-08-17
NOT TO BE USED FOR CONSTRUCTION

Sheet Reference No.
S-512

INDEX: 17 OF 21

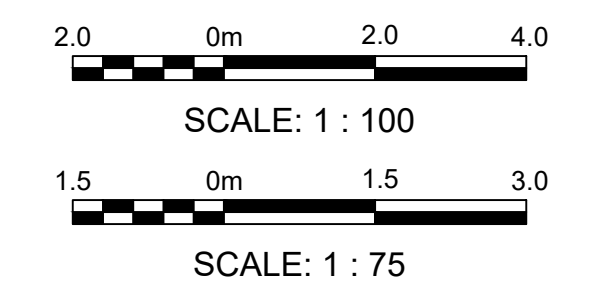


NOTES:

1. ALL DIMENSIONS ARE SHOWN IN MILLIMETERS UNLESS NOTED OTHERWISE.
2. BATHYMETRIC CONTOURS ARE TAKEN FROM BATHYMETRIC SURVEY CARRIED OUT BY IRISH HYDRODATA LTD. AUGUST 2006 AND ARE TO CHART DATUM.

BREASTING DOLPHIN PLAN
SCALE: 1:75

BREASTING DOLPHIN SECTION
SCALE: 1:100



ISSUE FOR PLANNING
ISSUED: 2021-08-17
NOT TO BE USED FOR CONSTRUCTION

Rev.	Date	Mark	Description

SHANNON LNG LIMITED
SHANNON TECHNOLOGY AND ENERGY PARK (STEP)
BREASTING DOLPHINS DETAILS

Designed by:	FMC	Date:	2021-08-17
Drawn by:	REV	Checked by:	AB
Reviewed by:	AB	M&A Project No.:	921236
Submitted by:	MOFFATT & NICHOL	Drawing code:	
		Drawing Scale:	1:1 (Metric D)

THE HUB
FARNBOROUGH BUSINESS PARK
FOWLER AVENUE
FARNBOROUGH
HANTS
UNITED KINGDOM
T +44(0)1252 516388

moffatt & nichol

SEAL

Sheet Reference No.
S-514
INDEX: 19 OF 21

